



smartech



Gate,  
Globe & Check  
**Valve**



[www.smartechdubai.com](http://www.smartechdubai.com)



smartech

## INTRODUCTION

Smartech LLC is in the field of manufacturing & supply of industrial valves and has the ability to meet the industrial benchmark by means of good engineering practices and following various technical standards.

Smartech's Quality Management System has been certified to ISO 9001:2015. Our Motto is Quality in Product - hence every Process, Product & Resources at Smartech LLC are subject to defined Standard Operating Procedures & Inspection Criteria. Committed to Quality & Dedicated to Work are the secret of the success of each & every employee. Technically well qualified with good exposure & rich experience makes them capable to meet the customer requirements.

We at Smartech LLC strive to provide customer satisfaction by various ways & means:

- Adherence to technical specifications
- Introducing & practicing quality in every walk of the life
- Investment in innovative technologies
- Timely delivery is the promise statement

The premises shop floor includes Machine shop, Assembly shop, Welding shop, Test bench facilities & Spray paint shop. Premises are also equipped with Hydro & pneumatic testing and latest Automatic Testing bench facilities for testing of valves.

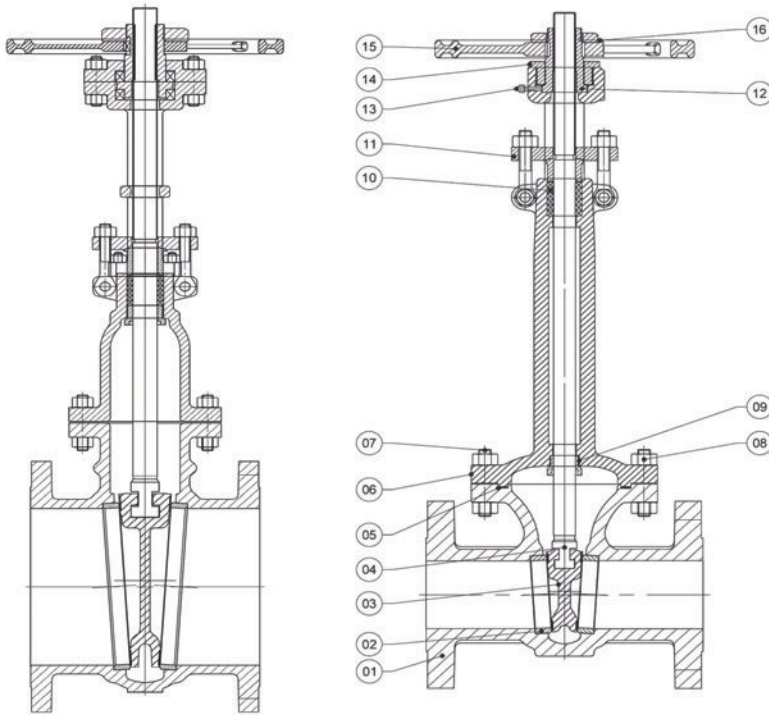
We have design team & Production team for manufacturing industrial valves like Ball Valve, Gate valve, Globe Valve, Swing Check Valve, Butterfly Valve, Taper Plug Valve, & Dual Plate check valve according to international standards API SPEC 6D, API 600, BS 1873, BS 1868, AP1609, API 599 & API 594 respectively.

Smartech LLC has the ability to develop products in the upstream sector for Oil & Gas exploration projects, serving the Oil & Natural Gas transportation companies & providing valves to Oil industries, Petro-chemical industries, Refineries, Power plants, Pharmaceuticals, Pulp & Paper industry, Steel industry, Chemical industry & many more...

Having our own foundry and pattern shop we can supply valves in exotic materials like Austenitic Steel, Super Austenitic steel, Duplex Steel, Super Duplex Steel, Hastelloy, Monel, etc and with more than 60 employee we are manufacturing 3000+ valves per month.



## CRYOGENIC GATE VALVES AMSE Classes 150 to 1500

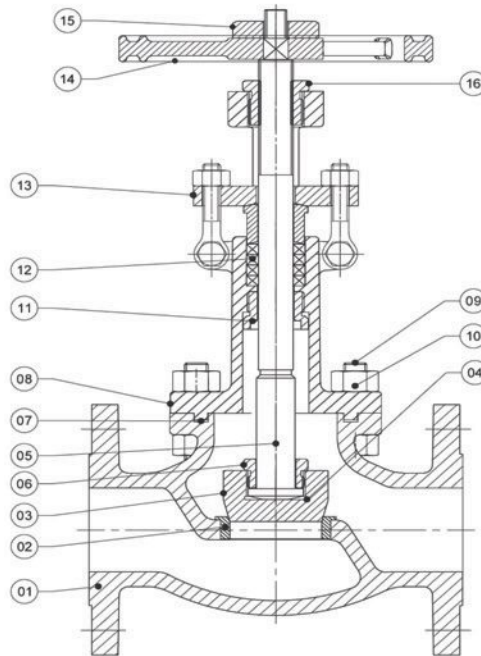


Design & Testing Standard  
**BS 6364**

Sr. No.	Description
01	Body
02	Body Seat Ring
03	Wedge
04	Stem
05	Gasket
06	Bonnet
07	Stud
08	Stud Nut
09	Back Seat
10	Packing
11	Gland
12	Yoke Sleeve
13	Grease Fitting
14	Retainer Nut
15	Handwheel
16	Handwheel Nut Nameplate

Materials of construction are selected, based on the service fluid, temperature and customer spe

## CRYOGENIC GLOBE VALVES AMSE Classes 150 to 1500



Design & Testing Standard  
**BS 6364**

Sr. No.	Description
01	Body
02	Body Seat Ring
03	Disc
04	Disc Washer
05	Stem
06	Disc Stem Nut
07	Gasket
08	Bonnet
09	Stud
10	Stud Nut
11	Back Seat
12	Packing
13	Gland
14	Handwheel
15	Handwheel
16	Yoke Bush Nameplate

Materials of construction are selected, based on the service fluid, temperature and customer spe

# GATE VALVE



## DESIGN FEATURES:

Protect Your Valves From Wear And Tear - Our Gate Valves Feature Hard Faced Seats And Wedge Hat Provide Optimal Protection Against Erosion, Galling, Cavitation, And Other Forms Of Wear And Tear.

Seal With Confidence - Our Graphite Gland Packing Are Designed To Withstand The Toughest Conditions, Ensuring Leak-free Operation And Reduced Downtime.

The Secret To Seamless Operation - Our Gate Valve's Stems Are Machined And Ground To Perfection, Ensuring Minimal Friction And Optimal Performance.

Optimize Your Valve Performance - Our Valves Feature Stems With Integral T-heads That Are Precision-machined And Designed To Comply With Api 591 Standard.

Unbeatable Performance, Unmatched Reliability - Our Gate Valves Are Engineered To Deliver Optimal Performance And Reliability, Thanks To Their Wedges That Are Precision-fitted To Body Seats That Exceed Api 598 Standard Requirements

Compliance Made Simple - Our Valves Are Designed With Controlled Diametrical Clearances To Ensure Adherence To Strict Emission Norms.

Leak-free Operation Guaranteed - Our Welded Body Seat Rings Provide A Superior Design Eliminates The Potential Leakage Path Found In Screwed Seats.

The Smart Choice For Secure Operation - Our Gate Valves Feature Back Seats That Offer A Secondary Seal, Providing Maximum Safety And Peace Of Mind In Critical Applications.

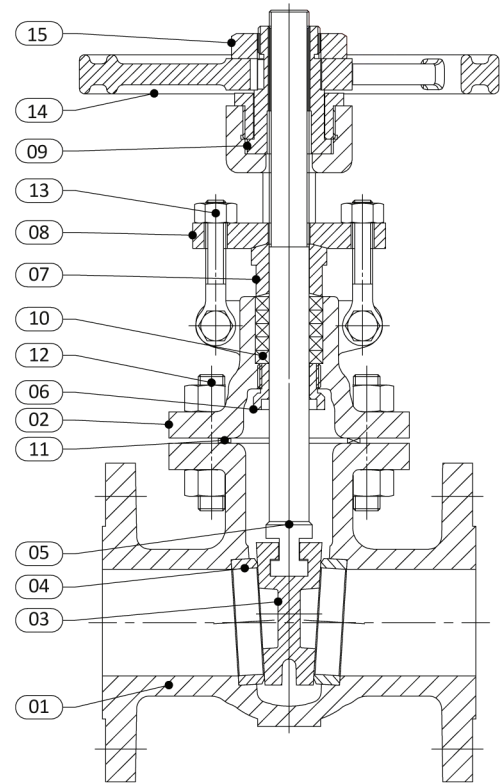
# GATE VALVES

## STANDARD MATERIALS OF CONSTRUCTION



smartech

TECHNICAL DATA	
Design & Manufacturing Std Range	API 600 2" To 18", Class : 150 & 300# 2" To 6", Class : 600 & 1500#
Inspection & Testing STD	API 598
End Flange Dimension	ASME B 16.5
B W End Dimension	ASME B 16.25
Face To Face & End To End Dimension	ASME B 16.10, BS 2080
Gasket Design	Spiral Wound & Ring Type
<b>IBR APPROVED</b>	As Per ASME B 16.20



Sr. No.	PART NOMENCLATURE	MATERIAL
1	BODY	ASTM A 216 Gr. WCB/WCC, ASTM A 352 Gr. LCB/LCC ASTM A 351 Gr. CF8M /CF8/CF3/CF3M
2	BONNET	ASTM A 216 Gr. WCB/WCC, ASTM A 352 Gr. LCB/LCC ASTM A 351 Gr. CF8M /CF8/CF3/CF3M
3	WEDGE	AISI 410/ AISI 304/AISI 316/13% Cr steel Facing/ST-6 Facing
4	SEAT RING	AISI 410/ AISI 304/AISI 316/13% Cr steel Facing/ST-6 Facing
5	STEM	AISI 410/ AISI 304/AISI 316
6	BACK SEAT BUSHING	AISI 410/ AISI 304/AISI 316
7	GLAND BUSH	AISI 410/ AISI 304/AISI 316
8	GLAND FLANGE	ASTM A 216 Gr. WCB/WCC , ASTM A 352 Gr. LCB/LCC ASTM A 351 Gr. CF8M /CF8/CF3/CF3M/A 105
9	YOKE SLEEVE	ASTM A 493 Gr. D2
10	STEM PACKING	BRAIDED GRAPHITE/DIE FORMED GRAPHITE RING
11	BONNET GASKET	SS 304/SS316 SPIRAL WOUND + Graphite Filler
12	JOINT STUD NUT	ASTM A 193 Gr. B7/B8 & ASTM A194 Gr. 2H /8
13	GLAND EYE BOLTS & NUTS	ASTM A 193 Gr. B7/B8 & ASTM A194 Gr. 2H /8
14	HAND WHEEL	DUCTILE IRON / MALLEABLE IRON
15	HAND WHEEL NUT & WASHER	CARBON STEEL/STAINLESS STEEL
16	NAME PLATE	SS 202

# GLOBE VALVE



## DESIGN FEATURES:

Smartech globe valves feature hardfaced seats and plug that ensure optimal performance and efficiency, even in harsh environments.

The ultimate solution for high-temperature sealing - Our high-purity graphite gland packings provide superior thermal conductivity and resistance to oxidation, ensuring long-lasting

Precision meets performance - Smartech Globe valve stems are crafted with precision-machining and lapping techniques, providing smoothness and long-lasting operation.

Smartech globe valves can be designed with plugs that are tailored to your specific flow and valve opening requirements. unparalleled flexibility and convenience.

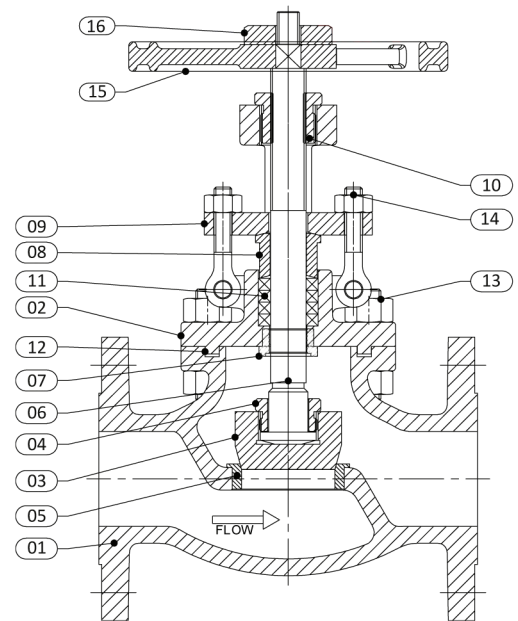
Smartech globe valves can be supplied with either a rising or non-rising handwheel, providing Effortlessly maintain your valve for optimal performance - Smartech globe valves are engineered with renewable seat rings that allow for easy maintenance

# GLOBE VALVES

## STANDARD MATERIALS OF CONSTRUCTION



TECHNICAL DATA	
Design & Manufacturing Std	BS 1873 & API 603
RANGE	2" to 18" ,Class: 150 & 300#
Inspection & Testing STD	API 598 / BS EN 12266-1 Part 1 & 2
End flange Dimension	ASME B 16.5
B W End Dimension	ASME B 16.25
Face To Face & End to End Dimension	ASME B 16.10 , BS 2080
Gasket Design	ASME B 16.20
<b>IBR Approved.</b>	



Sr. No.	PART NOMENCLATURE	MATERIAL
1	BODY	ASTM A 216 Gr. WCB/WCC , ASTM A 352 Gr. LCB/LCC ASTM A 351 Gr. CF8M /CF8/CF3/CF3M
2	BONNET	ASTM A 216 Gr. WCB/WCC , ASTM A 352 Gr. LCB/LCC ASTM A 351 Gr. CF8M /CF8/CF3/CF3M
3	PLUG	AISI 410/ AISI 304/AISI 316/13% Cr steel Facing/ST-6 Facing
4	PLUG NUT	AISI 410/ AISI 304/AISI 316
5	SEAT RING	AISI 410/ AISI 304/AISI 316/13% Cr steel Facing/ST-6 Facing
6	STEM	AISI 410/ AISI 304/AISI 316
7	BACK SEAT BUSHING	AISI 410/ AISI 304/AISI 316
8	GLAND BUSH	AISI 410/ AISI 304/AISI 316
9	GLAND FLANGE	ASTM A 216 Gr. WCB/WCC , ASTM A 352 Gr. LCB/LCC ASTM A 351 Gr. CF8M /CF8/CF3/CF3M/A 105
10	YOKE NUT	S.G IRON
11	STEM PACKING	BRAIDED GRAPHITE/DIE FORMED GRAPHITE RING
12	BONNET GASKET	SS 304/SS316 SPIRAL WOUND + GRAPHITE FILLER
13	JOINT STUD NUT	ASTM A 193 Gr. B7/B8 & ASTM A194 Gr. 2H /8
14	GLAND EYE BOLTS & NUTS	ASTM A 193 Gr. B7/B8 & ASTM A194 Gr. 2H /8
15	HAND WHEEL	DUCTILE IRON / MALLEABLE IRON
16	HAND WHEEL NUT & WASHER	CARBON STEEL/STAINLESS STEEL
17	NAME PLATE	SS 202

# SWING CHECK VALVES



## DESIGN FEATURES:

Smartech Check valves are crafted with precision-machined bodies and covers that deliver the highest level of quality and performance.

Smartech check valves are designed with one-piece construction discs that provide unbeatable toughness and resilience in even the most challenging applications.

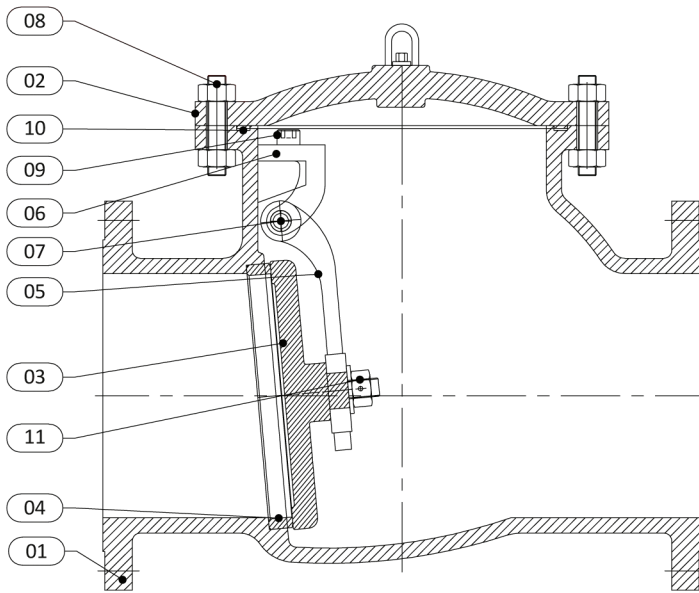
Smartech check valve assemblies feature discs that are securely fastened to disc hangers with a lock nut and cotter pin, ensuring unparalleled stability and long-lasting performance.

Choose a Check valve that is easy to service - Our check valves feature a top-accessible design that allows for quick and easy servicing, minimizing downtime and maximizing productivity.



# SWING CHECK VALVES

## STANDARD MATERIALS OF CONSTRUCTION



### TECHNICAL DATA

Design & Manufacturing Std	BS 1868
RANGE	2" to 18", Class: 150 UP TO 18"
Inspection & Testing STD	API 598 / BS EN 12266-1 Part 1 & 2
End flange Dimension	ASME B 16.5
B W End Dimension	ASME B 16.25
Face To Face & End to End Dimension	ASME B 16.10 , BS 2080
Gasket Design	ASME B 16.20
<b>IBR Approved.</b>	

Sr. No.	PART NOMENCLATURE	MATERIAL
1	BODY	ASTM A 216 Gr. WCB/WCC , ASTM A 352 Gr. LCB/LCC ASTM A 351 Gr. CF8M /CF8/CF3/CF3M
2	COVER	ASTM A 216 Gr. WCB/WCC , ASTM A 352 Gr. LCB/LCC ASTM A 351 Gr. CF8M /CF8/CF3/CF3M
3	DISC	ASTM A 216 Gr. WCB/WCC , ASTM A 352 Gr. LCB/LCC ASTM A 351 Gr. CF8M /CF8/CF3/CF3M
4	SEAT RING	AISI 410/ AISI 304/AISI 316/13% Cr steel Facing/ST-6 Facing
5	HINGE	ASTM A 216 Gr. WCB/WCC , ASTM A 352 Gr. LCB/LCC ASTM A 351 Gr. CF8M /CF8/CF3/CF3M
6	HINGE BRACKET	ASTM A 216 Gr. WCB/WCC , ASTM A 352 Gr. LCB/LCC ASTM A 351 Gr. CF8M /CF8/CF3/CF3M
7	HINGE PIN	AISI 410/ AISI 304/AISI 316
8	JOINT STUD/NUT	ASTM A 193 Gr. B7/B8 & ASTM A194 Gr. 2H /8
9	BRACKET STUD/NUT	ASTM A 193 Gr. B7/B8 & ASTM A194 Gr. 2H /8
10	GASKET	SS 304/SS316 SPIRAL WOUND
11	DISC NUT	STAINLESS STEEL
12	NAME PLATE	SS 202



# TURNNION MOUNTED BALL VALVE

## DESIGN FEATURES:

Our trunnion-mounted ball valves with optional DBB feature, designed to API 6D standard, provide reliable automatic cavity relief, ensuring optimal performance and safety in your critical processes

Our trunnion-mounted ball valves with optional DIB feature, designed to API 6D standard, provide reliable isolation between upstream, downstream, and cavity, ensuring optimal performance and safety in your critical processes.

Maximize your productivity with our ball valves, incorporating a state-of-the-art anti-static device and blow-out proof stem design.

Invest in quality and performance with our valves, which have undergone API 6FA fire safety testing to ensure exceptional reliability and durability.

Our ball valves offer the best of both worlds, with the option of soft and metal sealing materials, ensuring optimal sealing performance and longer service life.

Upgrade your sealing solution with our ball valves featuring high-quality graphite seals, offering superior resistance to chemicals, high temperatures, and pressure variations for a variety of application.

Take control of your valve system with our locking device option, designed to provide reliable and secure operation for any application.

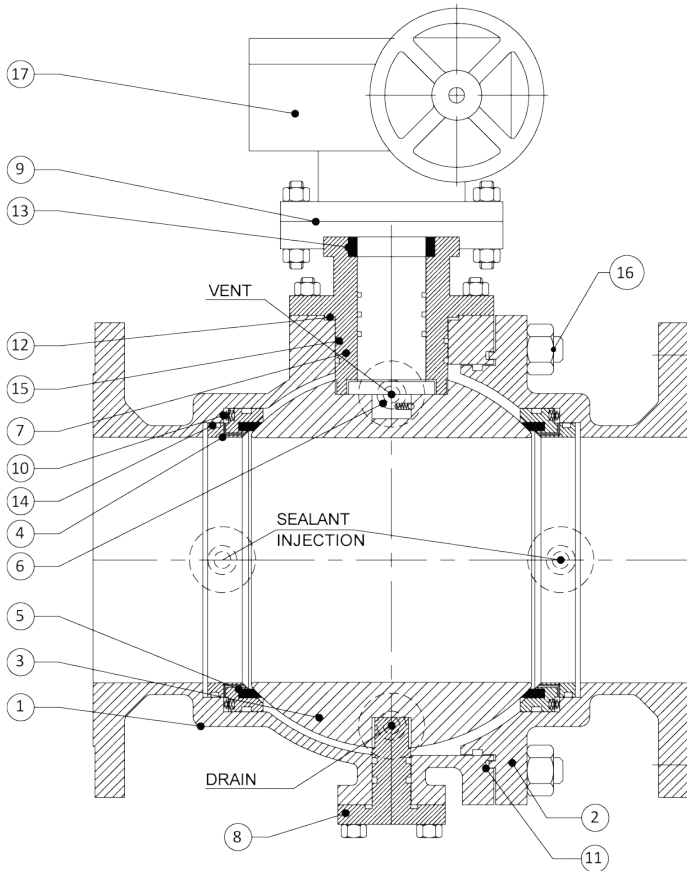
ISO Mounting pad design option available for easy direct mounting of Electric, Pneumatic, and Hydraulic Actuator

Our customizable stem extension or extension according to BS 6364 for cryogenic service allows you to tailor our ball valves to your specific needs and ensure optimal performance and safety in your demanding applications

Our ball valves are designed to meet the Requirements of ISO 15848-1 emission requirements

# TRUNNION MOUNTED BALL

## STANDARD MATERIALS OF CONSTRUCTION

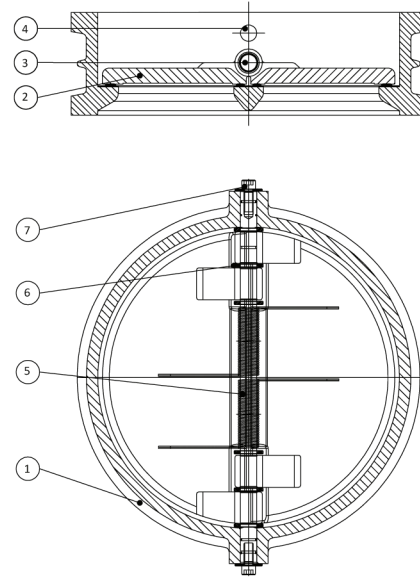


### TECHNICAL DATA

Design & Manufacturing Std RANGE	API 6D ( 2" to 12" ) Class 150# & 300# ( 2" to 8" ) 600#
Inspection & Testing STD	ISO 5208 / API 6D
End flange Dimension	ASME B 16.5
B W End Dimension	ASME B 16.25
Face To Face & End to End Dimension	ASME API 6D
Gasket Design	ASME B 16.20
Boy Type	Two/Three Piece Design
Port	Full Bore /Reduced Bore
<b>IBR Approved.</b>	

Sr. No.	PART NOMENCLATURE	MATERIAL
1	BODY	ASTM A 216 Gr. WCB / ASTM A 351 Gr. CF8M/CF8
2	END COVER	ASTM A 216 Gr. WCB / ASTM A 351 Gr. CF8M/CF8
3	BALL	ASTM A 216 Gr. WCB / ASTM A 351 Gr. CF8M/CF8
4	SEAT GUIDE	ASTM A 216 Gr. WCB / ASTM A 351 Gr. CF8M/CF8
5	SEAT INSERT	RPTFE/NYLON/DEVLON/PEEK
6	STEM	SS 316 /SS 304/SS 410
7	STUFFING BOX	ASTM A 216 Gr. WCB / ASTM A 351 Gr. CF8M/CF8
8	TRUNNION PLATE	ASTM A 216 Gr. WCB / ASTM A 351 Gr. CF8M/CF8
9	OPERATING FLANGE	ASTM A 216 Gr. WCB / ASTM A 351 Gr. CF8M/CF8
10	SPRING	INCONNEL
11	BODY SEAL	SPW SS316 + GRAPHITE FILLER
12	STUFFING BOX SEAL	SPW SS316 + GRAPHITE FILLER
13	PACKING	GRAPHITE
14	SEAT GUIDE O RING	VITON -B
15	STUFFING BOX O RING	VITON-B
16	BODY STUD NUT	ASTM A 193 Gr. B7/B8 & ASTM A194 Gr. 2H /8
17	GEAR BOX	COMERCIAL
18	NAME PLATE	SS 202

# DUAL PLATE CHECK VALVE



## DESIGN FEATURES:

Experience unmatched efficiency with our Dual Plate Check valves, engineered to significantly reduce pressure drop and optimize fluid flow.

Say goodbye to water hammer concerns - our Dual Plate Check valves are designed to virtually eliminate water hammer effects, ensuring system integrity and safety.

Invest in peace of mind with our Dual Plate Check valves, designed for extended service life and minimal maintenance due to their superior spring technology.

Optimize your fluid systems with our Dual Plate Check valves, offering negligible water hammer effects and seamless, efficient operation.

### TECHNICAL DATA

Design & Manufacturing Std	API 594
RANGE	2" to 12" , Class: 150# & 300#
Inspection & Testing STD	API 598 / BS EN 12266-1 Part 1 & 2
Face To Face & End to End Dimension	ASME B 16.10 , BS 2080
End Connection	Flanged Type /Lug Type/Wafer Type
Body Design	With retainer / With Out Retainer

Sr. No.	PART NOMENCLATURE	MATERIAL
1	BODY	ASTM A 216 Gr. WCB/WCC , ASTM A 352 Gr. LCB/LCC ASTM A 351 Gr. CF8M /CF8/CF3/CF3M
2	DISC / FLAPPER	ASTM A 216 Gr. WCB/WCC , ASTM A 352 Gr. LCB/LCC ASTM A 351 Gr. CF8M /CF8/CF3/CF3M/13% CR Steel FACING /SS316 OVERLAY/ST-6 OVERLAY
3	HINGE PIN	AISI 410/ AISI 304/AISI 316
4	STOP PIN	AISI 410/ AISI 304/AISI 316
5	SPRING	INCONEL X-750
6	BEARING	ASTM A 276 Gr. SS316
7	HOOK SCREW	AISI 1025
8	NAME PLATE	SS 202



smartech



Butterfly Valve with Electropneumatic Positioner



Butterfly Valve with Pneumatic Actuator



Gear Operated Butterfly valve



Lever Operated Butterfly Valve

# BUTTERFLY VALVE

## TECHNICAL DATA

Manufacturing Std.	ISO 5752 / BS 5155 / API 609 / IS 13095
Inspection and Testing Std.	BS 6755 (Part-1) / API 598 / EN12266-1
End Connection	Wafer to Suit ANSI B16.5 150# / ANSI 125#
Bs To Tab & D&E	IS 6392 PN 0.6 / 1.6
Face Face	BS 5155 / ISO 5752 / API 609
Top Flange Drilling	ISO 5211

Sr. No.	PART NOMENCLATURE	MATERIAL
1	BODY	CAST IRON / S.G. IRON / ASTM A 216 GR. WCB ASTM A 351 GR. CF8/ASTM A 351 GR. CF8M
2	DISC	CAST IRON / S.G. IRON / ASTM A 216 GR. WCB ASTM A 351 GR. CF-8M, DICO ENCAPSULATION WITH VITON, NITRILE, EPDM, NEOPRENE & HYPALON AVAILABLE EPOXY COATED COATED
3	SPINDLE	AISI 410/AISI 304 / AISI 316
4	SEAT	NITRILE / EPDM/SILICON / VITON/HYPALON/PTFE
5	'O' RING	NITRILE / EPDM
6	PIN	AISI 304 / AISI 316
7	LEVER	M.S. FABRICATED
8	GEAR BOX	CAST IRON
9	HAND WHEEL	MS FABRICATED
10	NAME PLATE	ALUMINIMUM





3 PCS DESIGN



2 PCS DESIGN



1 PCS DESIGN

# FLOATING BALL VALVE

TECHNICAL DATA	
Design & Manufacturing Std	ISO 17292
RANGE	(1/2" to 6") Class 150# & 300#
Inspection & Testing STD	ISO 5208 / BS EN 12266-1 Part 1 & 2
End flange Dimension	ASME B 16.5
B W End Dimension	ASME B 16.25
Socket / Screwed End Dimension	ASME B 16.11 / ASME B 1.20.1
Face To Face & End to End Dimension	ASME B 16.10, BS 2080
Gasket Design	ASME B 16.20
Body Type	Single / Two / Three Piece Design
Port	Full Bore / Reduced Bore

Sr. No.	PART NOMENCLATURE	MATERIAL
1	BODY	ASTM A 216 Gr. WCB/ASTM A 351 Gr. CF8M/CF8
2	END COVER	ASTM A 216 Gr. WCB/ASTM A 351 Gr. CF8M/CF8
3	BALL	AISI 316/AISI 304
4	GLAND	AISI 316/AISI 304
5	STEM	AISI 316/AISI 304
6	SEAT	GFT/CFT/RPTFE/PTFE/NYLON
7	STEM SEAL	PTFE
8	PACKING	GRAPHITE
9	BODY SEAL	GRAPHITE/SPW SS 316/304 WITH GRAPHITE FILLER
10	GLAND NUT	CARBON STEEL /STAINLESS STEEL
11	LEVER	CARBON STEEL /STAINLESS STEEL
12	BODY STUD NUT	ASTM A 193 Gr. B7/B8 & ASTM A194 Gr. 2H /8
13	SLEEVE	SLEEVE
14	NAME PLATE	NAME PLATE



smartech



# PISTON VALVE

## PISTON MATERIALS OF CONSTRUCTION

### TECHNICAL DATA

Design Standard	B 16.34/EN12516.2
Testing Standard	API 598
Face To Face Standard	ASME B 16.10
Flange End Standard	ASME B 16.5

No.	DESCRIPTION	MATERIAL	15-20mm	50mm	40mm	25mm
1	BODY	ASTM A 216 GR. WCB	1	1	1	1
2	SEALING RING	GRAPHITE WITH SS304 REINFORCED	2	2	2	2
3	LANTERN BUSH	ASTM A 276 TYPE SS 410	1	1	1	1
4	PISTON	ASTM A 276 TYPE SS 410	1	1	1	1
5	SPINDLE	ASTM A 276 TYPE SS 410	1	1	1	1
6	BONNET	ASTM A 105	1	1	1	1
7	BELLEVILLE WASHER	50CR V4/ASTM240 GR. 302	4	8	8	8
8	NUT	ASTM A 194 GR. 2H	2	4	4	4
9	STUD	ASTM A 193 GR. B7	2	4	4	4
10	HAND WHEEL	MI / SGIRON	1	1	1	1
11	NAME PLATE	STAINLESS STEEL	1	1	1	1
12	HANDWHEEL WASHER	MS	1	1	1	1
13	HANDWHEEL NUT	ASTM A 194 GR. 2H	1	1	1	1
14	SPLIT NUT	BRASS IS319 GR. 1	NA	NA	1	1
15	SPLIT NUT WASHER	BRASS	NA	NA	1	1
16	GAP RING	ASTM A 276 TYPE SS 410	NA	NA	NA	4
17	THREADED BUSH	BRASS IS319 GR. 1	NA	NA	NA	1

\*Note : Alloy Steel, Stainless Steel, Duplex, Super Duplex is also available on request.



smartech

**Office**

Al Quoz-3, Dubai, United Arab Emirates,  
PO Box-38312

**Factory :-**

Mvito Industries Pvt. Ltd.  
Serve No. 127, Plot No. 1/2/6, Madhav Industries Park-1  
Chibhda Taravda Road, Balsar, Rajkot-380021

[info@smartechdubai.com](mailto:info@smartechdubai.com)

+971 55 554 0721

