

# CATALOGUE

Fcu Hook Up-----	01	Butterfly Valve-----	45
Fixed Orifice Double		Tapping Bands Series-----	49
Regulating Valve-----	05	Valve Series-----	50
Gate Valve-----	07	Brass Pipe Fitting-----	53
Ball Valve-----	19	Bronze Pipe Fitting-----	55
Globe Valve-----	26	Flanged Pipe Fittings-----	56
Check Valve-----	31	Copper Pipe Fitting-----	57
Strainer-----	37	Stainless Steel Fittings-----	60
Foot Valve-----	40	Brass Fex Fitting-----	61
Air Vent-----	41	Copper Pipe Series-----	65
Float Valve-----	42	Plastic Covered Copper Pipe-----	66
Pressure Reducing Valve-----	43	Procedure Of Welding	
		Technology-----	67



**H**<sup>®</sup>  
YONG XIANG

## 9101 FCU HOOK UP

Fcu Hook Up System Is A Set Of Valves, Connectors And Unions Designed Specially For The Application Of Chilled Or Heating Water Fan Coil Units.

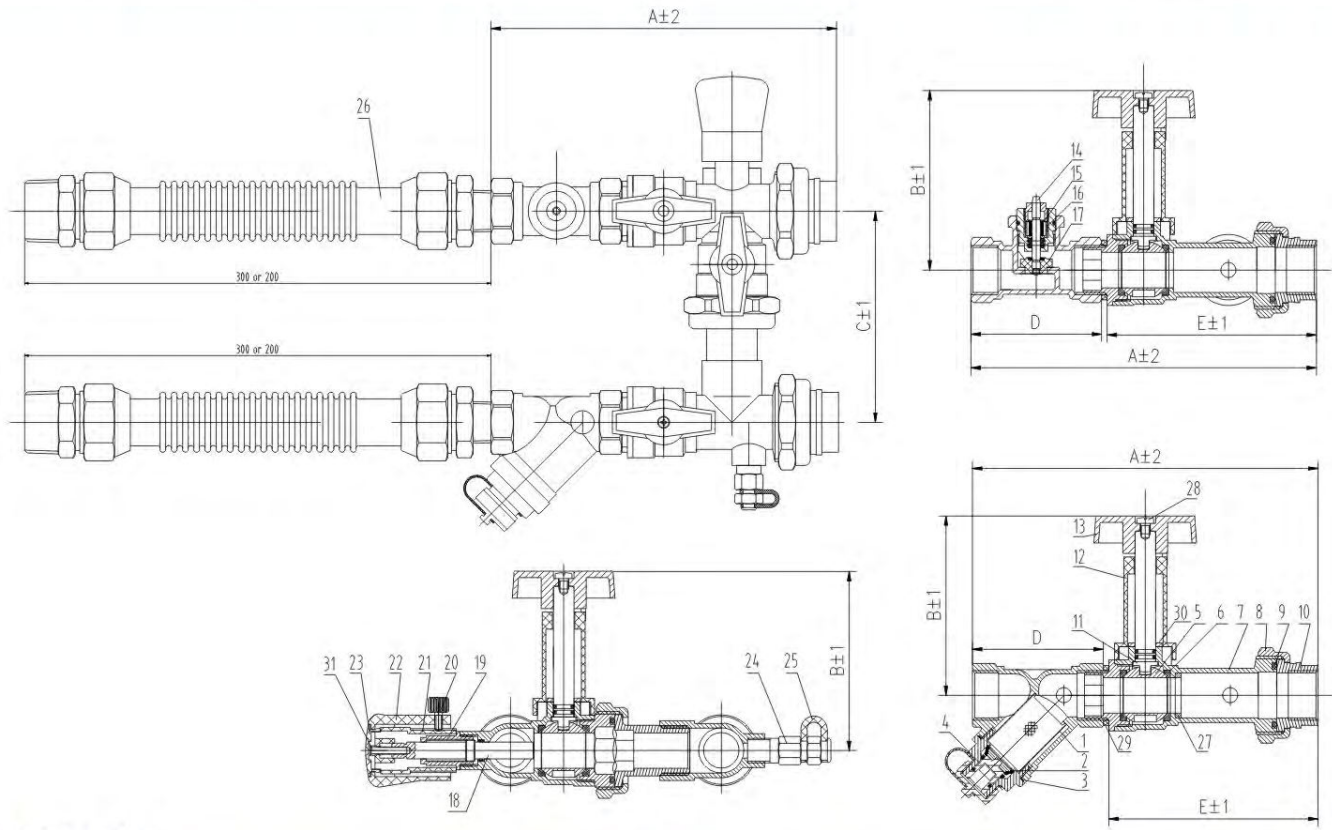


- ◆ Pressure Rating:PN25
- ◆ Working Medium:Chilled or Heating Water
- ◆ Working Temperature: $t \leq 100^{\circ}\text{C}$
- ◆ Pipe Thread to ISO228

### Dimensions & Coeffients

9101						
DN	INCH	A	B	C	D	E
20	¾"	185	96	113	70	112
25	1"	210	101	130	80	127

# FCU HOOK UP



## Bill of Materials

Sequence	Description	Material	SIZE
1	Mesh	Stainless Steel 304	All
2	Clamping Ring	Stainless Steel 304	All
3	Gasket	P.T.F.E	All
4	Valve Spool	DZR Brass CW602N	All
5	Ball	DZR Brass CW602N	All
6	Gasket	P.T.F.E	All
7	Body	DZR Brass CW602N	All
8	Hexagonal Nut	DZR Brass CW602N	All
9	O Ring	N.B.R	All
10	Female Nut	DZR Brass CW602N	All
11	Pin	DZR Brass CW602N	All
12	Stem Cover	ABS	All
13	Handwheel	Aluminum Alloy	All
14	Stem	Stainless Steel 304	All
15	Spring	Stainless Steel 304	All

Sequence	Description	Material	SIZE
16	Spring Seat	DZR Brass CW602N	All
17	Disc	N.B.R	All
18	Adjust Staff	DZR Brass CW602N	All
19	Adjust Connector	DZR Brass CW602N	All
20	Screw	Stainless Steel 304	All
21	Scale Cover	ABS	All
22	Handwheel	Aluminum Alloy	All
23	Handwheel Cover	ABS	All
24	Test Points	DZR Brass CW602N	All
25	Connecting Belt	N.B.R	All
26	Wavy Tube	Stainless Steel 304	All
27	Orifice Plate	DZR Brass CW602N	All
28	Crisscross Screw	Stainless Steel 304	All
29	Gasket	P.T.F.E	All
30	Gland Nut	DZR Brass CW602N	All
31	Cap	ABS	All

## 9101C FCU HOOK UP

Fcu Hook Up System Is A Set Of Valves, Connectors And Unions Designed Specially For The Application Of Chilled Or Heating Water Fan Coil Units.

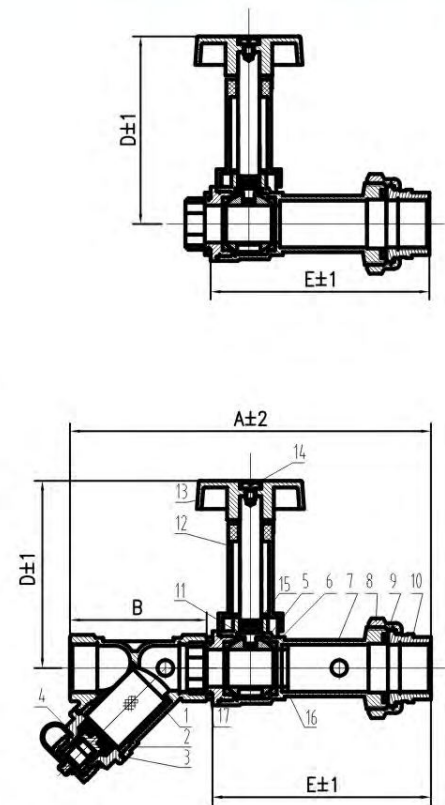
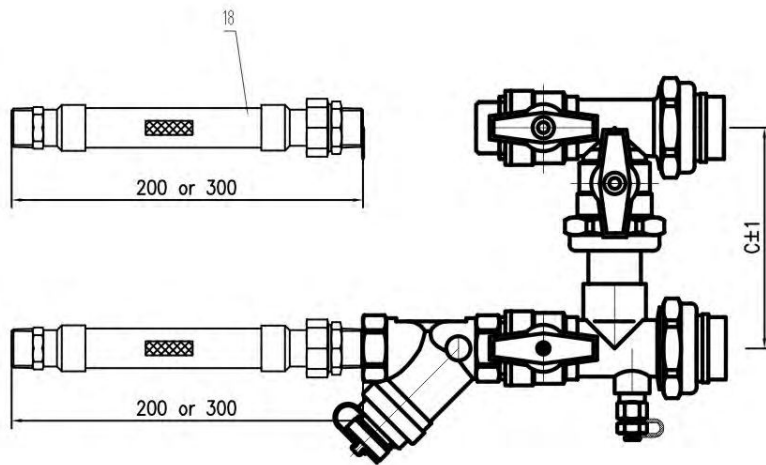


- ◆ Pressure Rating:PN25
- ◆ Working Medium:Chilled or Heating Water
- ◆ Working Temperature: $t \leq 100^{\circ}\text{C}$
- ◆ Pipe Thread to ISO228

### Dimensions & Coeffients

9101C						
DN	INCH	A	B	C	D	E
15	½"	170	65	100	96	105
20	¾"	185	70	113	96	112
25	1"	210	80	130	98	127
32	1¼"	240	90	130	100	177

# FCU HOOK UP



## Bill of Materials

Sequence	Description	Material	SIZE
1	Mesh	Stainless Steel 304	All
2	Clamping Ring	Stainless Steel 304	All
3	Gasket	P.T.F.E	All
4	Valve Spool	DZR Brass CW602N	All
5	Ball	DZR Brass CW602N	All
6	Gasket	P.T.F.E	All
7	Body	DZR Brass CW602N	All
8	Hexagonal Nut	DZR Brass CW602N	All
9	O Ring	N.B.R	All
10	Female Nut	DZR Brass CW602N	All
11	Pin	DZR Brass CW602N	All
12	Stem Cover	ABS	All
13	Handwheel	Aluminum Alloy	All
14	Stem	Stainless Steel 304	All
15	Gland Nut	DZR Brass CW602N	All
16	Orifice Plate	DZR Brass CW602N	All
17	Gasket	P.T.F.E	All
18	Wavy Tube	Stainless Steel 304	All

## 9200 DOUBLE FLOW MEASUREMENT DEVICE

- ◆ Pressure Rating:PN16
- ◆ Working Medium:Water
- ◆ Working Temperature: $t \leq 120^{\circ}\text{C}$

### Specification

9200 is a stainless steel orifice plate having a square edged entrance. The two stainless steel extension tubes are fitted with pressure test valves. Accuracy of flow measurement at normal velocities is  $\pm 3\%$  .



### Bill of Materials

Description	Material
Orifice and carrier	Stainless steel
Extension tubes	Stainless steel
Pressure test valves	DZR Brass CW602N

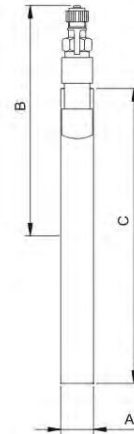
### Pressure Test Points

Pressure Rating: PN25  
Max.Temp: 120 °c



### Pressure Test Points Bill of Materials

Description	Material	Size
Cap	DZR Brass CW602N	¼" ½"
Cap Washer	EPDM	¼" ½"
Body	DZR Brass CW602N	¼" ½"
Tie	Polypropylene	¼" ½"
Seal	EPDM	¼" ½"
Retaining Ring	DZR Brass CW602N	¼" ½"



### Dimensions

9200									
DN	INCH	Face-to-face A mm	Centre-to-top B mm	Outside diameter C mm		Flow Kv	Headloss K	Kvs	
				PN16	PN25				
65	2½"	18	112	127	127	151	1.6	104	
80	3"	18	118	142	142	203	1.4	116	
100	4"	18	125	162	168	351	1.4	213	
125	5"	18	135	192	194	550	1.3	333	
150	6"	18	145	218	224	765	1.7	476	
200	8"	18	165	273	284	1354	1.8	768	
250	10"	18	185	329	340	2103	1.8	1153	
300	12"	18	205	384	400	3009	1.4	1743	
350	14"	21	222	444	457	2734	2.5	1875	
400	16"	21	240	495	514	3507	2.5	2582	
450	18"	21	261	555	564	4543	2.5	3270	
500	20"	21	283	617	624	5603	2.5	4079	
600	24"	25	325	734	731	8111	2.5	4938	

## 9201 FIXED ORIFICE DOUBLE REGULATING VALVE (FODRV)

- ◆ Pressure Rating: PN16
- ◆ Working Medium: Water
- ◆ Working Temperature: -10~120°C
- ◆ Flange to BSEN1092-2
- ◆ Comply with BS7350

### Specification

Y-Pattern globe valve with a characterised throttling disc and ends flanged to BS EN 1092-2 PN16.

The valve opening may be set to control flow at a pre-determined rate. Operation of the valve is by means of a handwheel incorporating a micrometer device.

The Double Regulating feature allows the valve to be used for isolation and to be reopened to its pre-set position to maintain required flow rate.

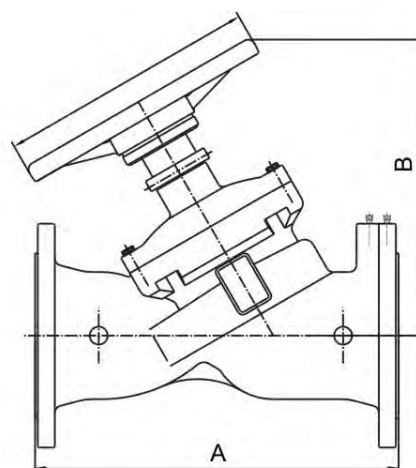


### Application

In two unit systems, the 9201 has sufficient authority to regulate flow in circuits incorporating a flow measurement device.

### Bill of Materials

Description	Material	Spec	Size
Body	Ductile Iron	EN-JL 1050	All
Bonnet	Ductile Iron	EN-JL 1050	All
Stem	Stainless Steel	BS970 410S21	All
Disc	EPDM Coated DI	EN-JL 1050	All
Gland	Brass	EN 12165 CW617N	65-150mm
Gland	Ductile Iron	EN-JL 1050	200-300mm
Stem Nut	Brass	EN 12165 CW617N	All
Handwheel	Ductile Iron	EN-JL 1050	All
Test Points	Brass	EN12165 CW602N	All
Orifice Plate	Brass	EN 12165 CW617N	All
Packing	Graphite	Non-Asbestos	All



### Dimensions & Coefficients

9201						
DN	INCH	A	B	Flow (kv)	Kvs	Head Loss(K)
65	2½"	290	265	104	104	5.32
80	3"	310	270	112	116	6.48
100	4"	350	310	162	213	13.15
125	5"	400	340	254	333	8.32
150	6"	480	340	335	476	7.33
200	8"	600	537	535	768	8.26
250	10"	730	570	1099	1153	7.27
300	12"	850	690	1588	1743	8.36
350	14"	980	685	1635	1798	12.50
400	16"	1000	965	2125	2338	13.60
450	18"	1200	1020	2698	2698	14.40
500	20"	1250	1065	3371	3708	14.80
600	24"	1450	1180	4091	4500	15.30



**HI**<sup>®</sup>  
YONG XIANG



# GATE VALVE

## 152B BRONZE NRS GATE VALVE(THREADED)

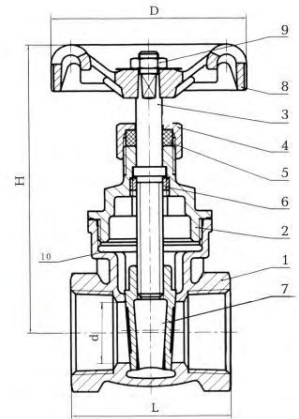
- ◆ Pressure Rating:PN20
- ◆ Working Medium:Water,Oil,Steam
- ◆ Working Temperature: $t \leq 170^{\circ}\text{C}$
- ◆ Taper Pipe Thread To ISO7
- ◆ Comply With BS5154

### Bill of Materials

Sequence	Description	Material	Sizes
1	Body	Bronze CC491K	All
2	Bonnet	Bronze CC491K	All
3	Stem	DZR Brass CW602N	All
4	Packing Nut	Brass CW614N	All
5	Packing	P.T.F.E	All
6	Stem Bush	DZR Brass CW602N	All
7	Disc	Bronze CC491K	All
8	Handwheel	Aluminium	½" ~ 2"
8	Handwheel	Cast iron	2½" ~ 4"
9	Handwheel Nut	Brass CW614N	All
10	Gasket	P.T.F.E	3" ~ 4"

### Dimensions

152B					
DN	INCH	d	L	H	D
15	½"	13	43	78	52
20	¾"	19	49	92	60
25	1"	25	54	103	60
32	1¼"	32	62	116	70
40	1½"	38	65	133	78
50	2"	50	75	156	92
65	2½"	63	87	190	100
80	3"	76	105	215	110
100	4"	100	124	258	130



## D151N BRONZE NRS GATE VALVE(THREADED)

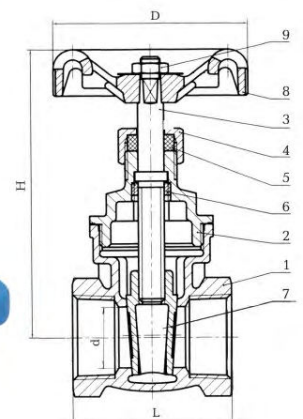
- ◆ Pressure Rating:PN20
- ◆ Working Medium:Water,Oil,Steam
- ◆ Working Temperature: $t \leq 170^{\circ}\text{C}$
- ◆ Taper Pipe Thread To ISO7
- ◆ Comply with BSEN12288

### Bill of Materials

Sequence	Description	Material	Sizes
1	Body	Bronze CC491K	All
2	Bonnet	Bronze CC491K	All
3	Stem	DZR Brass CW602N	All
4	Packing Nut	Brass CW614N	All
5	Packing	P.T.F.E	All
6	Stem Bush	DZR Brass CW602N	All
7	Disc	Bronze CC491K	All
8	Handwheel	Aluminium	All
9	Handwheel Nut	Brass CW614N	All

### Dimensions

D151N					
DN	INCH	d	L	H	D
15	½"	12.7	49.5	74	52
20	¾"	19.1	53.5	85	52
25	1"	25.4	62	106	70
32	1¼"	31.8	70	113	70
40	1½"	38.2	77	132	92
50	2"	50.9	87	155	92.5

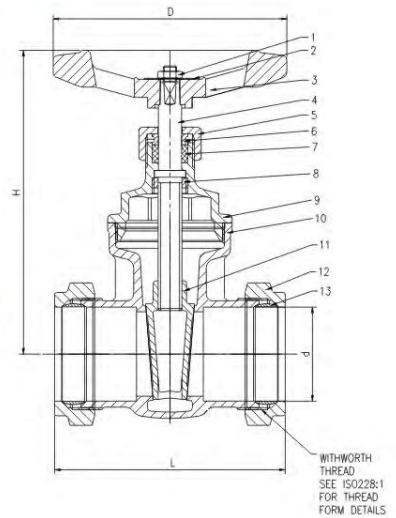


## 152C BRONZE GATE VALVE WITH COMPRESSION

- ◆ Pressure Rating:PN16
- ◆ Working Medium:Water, Oil, Steam
- ◆ Working Temperature: $t \leq 180^{\circ}\text{C}$
- ◆ Connection to BSEN1254-2

### Bill of Materials

Sequence	Description	Material	Size
1	Handwheel Nut	Brass CW614N	All
2	Nameplate	Aluminium	All
3	Handwheel	Aluminium	All
4	Stem	DZR Brass CW602N	All
5	Packing Nut	Brass CW614N	All
6	Stem Bush	Brass CW614N	All
7	Packing	P.T.F.E	All
8	Nut	DZR Brass CW602N	All
9	Bonnet	Bronze CC491K	All
10	Body	Bronze CC491K	All
11	Disc	Bronze CC491K	All
12	Nut	Brass CW617N	All
13	Clamp	Brass CW507L	All



### Dimensions

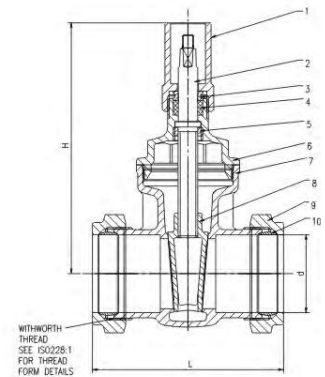
152C				
DN	L	H	D	d
15	68	77	60	15
22	78.5	88	60	22
28	83	104	70	28
35	96	116	75	35
42	103.5	137	95	42
54	125	164	105	54

## 152CLS BRONZE GATE VALVE WITH LOCKSHIELD

- ◆ Pressure Rating:PN16
- ◆ Working Medium:Water, Oil, Steam
- ◆ Working Temperature: $t \leq 180^{\circ}\text{C}$
- ◆ Connection to BSEN1254-2

### Bill of Materials

Sequence	Description	Material	Size
1	Lockshield	Brass CW614N	All
2	Stem	DZR Brass CW602N	All
3	Clamping Ring	Brass CW614N	All
4	Packing	P.T.F.E	All
5	Stem Bush	DZR Brass CW602N	All
6	Bonnet	Bronze CC491K	All
7	Body	Bronze CC491K	All
8	Disc	Bronze CC491K	All
9	Nut	Brass CW617N	All
10	Clamp	Brass CW507L	All



### Dimensions

152CLS				
DN	INCH	L	H	d
15	½"	68	78	15
20	¾"	78.5	86.5	22
25	1"	83	104.5	28
32	1¼"	96	115	35
40	1½"	103.5	133	42
50	2"	125	156	54

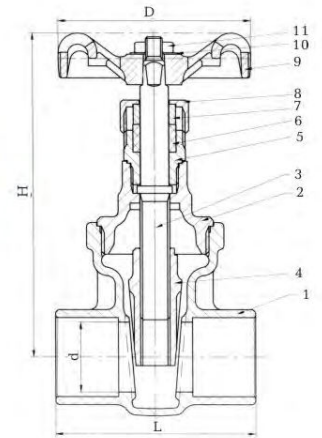
# GATE VALVE

## 152S BRONZE GATE VALVE(SOLDER)

- ◆ Pressure Rating:PN20
- ◆ Working Medium:Water,Oil,Steam
- ◆ Working Temperature: $t \leq 170^{\circ}\text{C}$

### Bill of Materials

Sequence	Description	Material	Sizes
1	Body	Bronze CC491K	All
2	Bonnet	Bronze CC491K	All
3	Stem	DZR Brass CW602N	All
4	Disc	Bronze CC491K	All
5	Stuffing Box	DZR Brass CW602N	All
6	Packing Ring	P.T.F.E	All
7	Gland	Brass CW614N	All
8	Packing Nut	Brass CW614N	All
9	Handwheel	Aluminium	All
10	Id Plate	Aluminium	All
11	Handwheel Nut	Brass CW614N	All



### Dimensions

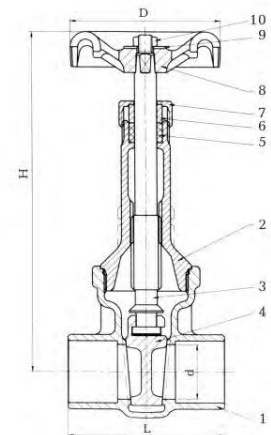
152S					
DN	INCH	d	L	H	D
8	3/4"	9.5	40.2	75	44.5
10	3/8"	9.5	40.2	75	44.5
15	1/2"	12.7	47.5	82	52.3
20	3/4"	19.2	61	95	65
25	1"	25.4	73	118	69.9
32	1 1/4"	32	79	144	77.7
40	1 1/2"	38.2	88	166	92.2
50	2"	50.8	104.5	190	103.1

## 153S BRONZE GATE VALVE(SOLDER)

- ◆ Pressure Rating:PN32
- ◆ Working Medium:Water,Oil,Steam
- ◆ Working Temperature: $t \leq 170^{\circ}\text{C}$

### Bill of Materials

Sequence	Description	Material	Sizes
1	Body	Bronze CC491K	All
2	Bonnet	Bronze CC491K	All
3	Stem	DZR Brass CW602N	All
4	Disc	Bronze CC491K	All
5	Packing	P.T.F.E	All
6	Clamping Ring	Brass CW614N	All
7	Packing Nut	Brass CW614N	All
8	Handwheel	Aluminium	All
9	Id Plate	Aluminium	All
10	Handwheel Nut	Brass CW614N	All



### Dimensions

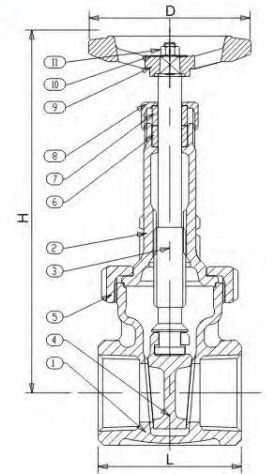
153S					
DN	INCH	d	L	H	D
8	3/4"	9.5	40.2	126	44.5
10	3/8"	9.5	40.2	126	44.5
15	1/2"	12.8	47.5	129	52.3
20	3/4"	19.2	61	159	65
25	1"	25.5	73	189	70
32	1 1/4"	32	79	216	77.7
40	1 1/2"	38.2	88	246	92.2
50	2"	50.8	104.5	301	103

## 153UN BRONZE UNION GATE VALVE (THREADED)

- ◆ Pressure Rating: PN32
- ◆ Working Medium: Water, Oil, Steam
- ◆ Working Temperature:  $t \leq 170^\circ\text{C}$
- ◆ Taper Thread to ISO 7
- ◆ Comply with BS5154/MSS SP-80

### Bill of Materials

Sequence	Description	Material	Size
1	Body	Bronze CC491K	All
2	Bonnet-Union	Bronze CC491K	All
3	Stem	Bronze CC491K	All
4	Disc	Bronze CC491K	All
5	Union Ring	Bronze CC491K	All
6	Packing Ring	Asbestos free	All
7	Gland	Brass CW614N	All
8	Packing Nut	Brass CW614N	All
9	Handwheel	Aluminum	All
10	Identification Plate	Aluminium	All
11	Handwheel Nut	Brass CW614N	All



### Dimensions

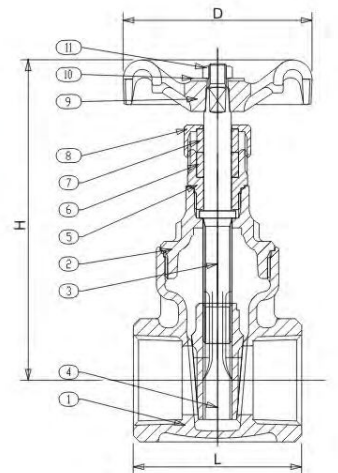
153UN				
DN	INCH	L	H	D
8	¼"	46	126	45
10	⅜"	46	126	45
15	½"	51	129	52
20	¾"	55	159	65
25	1"	63	189	70
32	1¼"	71	219	78
40	1½"	73	246	92
50	2"	83	301	92

## 153C BRONZE GATE VALVE (THREADED)

- ◆ Pressure Rating: PN25
- ◆ Working Medium: Water, Oil, Steam
- ◆ Working Temperature:  $t \leq 170^\circ\text{C}$
- ◆ Taper Thread to ISO 7
- ◆ Comply with BS5154/MSS SP-80

### Bill of Materials

Sequence	Description	Material	Size
1	Body	Bronze CC491K	All
2	Bonnet	Bronze CC491K	All
3	Stem	DZR Brass CW602N	All
4	Disc	Bronze CC491K	All
5	Stuffing Box	DZR Brass CW602N	All
6	Packing Ring	P.T.F.E	All
7	Gland	Brass CW614N	All
8	Packing Nut	Brass CW614N	All
9	Handwheel	Aluminium	All
10	Identification Plate	Aluminium	All
11	Handwheel Nut	Brass CW614N	All



### Dimensions

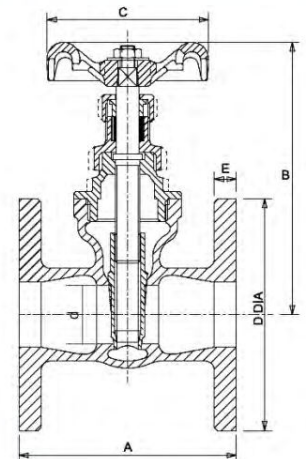
153C				
DN	INCH	L	H	D
8	¼"	46	75	45
10	⅜"	46	75	45
15	½"	51	82	52
20	¾"	55	95	65
25	1"	63	118	70
32	1¼"	71	144	79
40	1½"	73	166	92
50	2"	83	190	103
65	2½"	108	235	134
80	3"	117	251	134

## 155 BRONZE GATE VALVE(FLANGED)

- ◆ Pressure Rating:PN16
- ◆ Working Medium:Water,Oil,Steam
- ◆ Working Temperature: $t \leq 170^{\circ}\text{C}$
- ◆ Flanged to BS4504

### Bill of Materials

Sequence	Description	Material	Sizes
1	Body	Bronze CC491K	All
2	Bonnet	Bronze CC491K	All
3	Disc	Bronze CC491K	All
4	Stem	DZR Brass CW602N	All
5	Packing	Asbestos Free	All
6	Gland	Brass CW614N	All
7	Packing Nut	Brass CW614N	All
8	Stuffing Box	DZR Brass CW602N	All
9	Handwheel	Aluminium	All
10	Handwheel Nut	Brass CW614N	All
11	Identity Plate	Aluminium	All
12	Gasket*	Asbestos Free	3" only



### Dimensions

155							
DN	INCH	d	A	B	C	D	E
20	¾"	20	89	105	65	105	6
25	1"	25	99	116	70	115	8
32	1¼"	32	110	141	92	140	8
40	1½"	40	120	168	92	150	9
50	2"	50	135	189	103	165	11
65	2½"	65	165	232	103	185	13
80	3"	80	185	264	121	200	13

## 104 BRASS GATE VALVE(FLANGED)

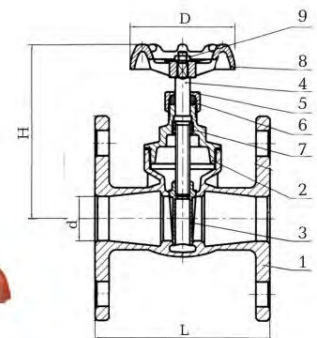
- ◆ Pressure Rating:PN16
- ◆ Working Medium:Water,Oil,Steam
- ◆ Working Temperature: $t \leq 170^{\circ}\text{C}$
- ◆ End Connection: Flanged BS4504

### Bill of Materials

Sequence	Description	Material	Sizes
1	Body	Brass CW617N	All
2	Bonnet	Brass CW617N	All
3	Disc	Brass CW617N	All
4	Stem	Brass CW617N	All
5	Packing Nut	Brass CW614N	All
6	Packing	P.T.F.E	All
7	Stem Bush	Brass CW614N	All
8	Handwheel	Cast-iron	All
9	Handwheel Nut	Stainless Steel	All

### Dimensions

104					
DN	INCH	d	L	H	D
25	1"	25	88	95	60
32	1¼"	32	94	110	72
40	1½"	38	106	124	80
50	2"	45	117	138	110
65	2½"	56	132	170	130
80	3"	68	150	198	178
100	4"	90	174	242	200



# GATE VALVE

## 101 BRASS GATE VALVE (THREADED)

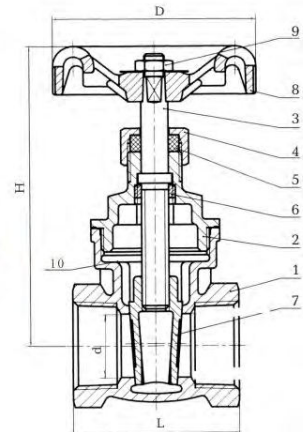
- ◆ Pressure Rating: PN16
- ◆ Working Medium: Water, Oil, Steam
- ◆ Working Temperature:  $t \leq 170^{\circ}\text{C}$
- ◆ Pipe Thread To ISO228

### Bill of Materials

Sequence	Description	Material	Sizes
1	Body	Brass CW617N	All
2	Bonnet	Brass CW617N	All
3	Stem	Brass CW617N	All
4	Packing Nut	Brass CW614N	All
5	Packing	P.T.F.E	All
6	Stem Bush	Brass CW614N	All
7	Disc	Brass CW617N	All
8	Handwheel	Cast-iron	All
9	Handwheel Nut	Stainless Steel	All
10	Gasket	P.T.F.E	2½" ~ 4"

### Dimensions

101					
DN	INCH	d	L	H	D
15	½"	12.7	45	72	55
20	¾"	19	47	82	55
25	1"	25	55	95	60
32	1¼"	32	66	110	72
40	1½"	38	76	124	72
50	2"	50	88	155	80
65	2½"	63	96	178	100
80	3"	76	105	215	110
100	4"	100	124	258	130



## 102 BRASS GATE VALVE (THREADED)

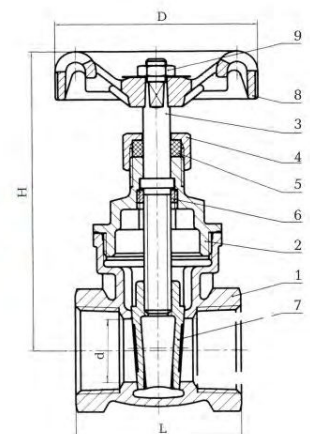
- ◆ Pressure Rating: PN16
- ◆ Working Medium: Water, Oil, Steam
- ◆ Working Temperature:  $t \leq 170^{\circ}\text{C}$
- ◆ Pipe Thread To ISO228

### Bill of Materials

Sequence	Description	Material	Sizes
1	Body	Brass CW617N	All
2	Bonnet	Brass CW617N	All
3	Stem	Brass CW617N	All
4	Packing Nut	Brass CW614N	All
5	Packing	P.T.F.E	All
6	Stem Bush	Brass CW614N	All
7	Disc	Brass CW617N	All
8	Handwheel	Cast-iron	All
9	Handwheel Nut	Stainless Steel	All

### Dimensions

102					
DN	INCH	d	L	H	D
15	½"	12.8	45	70	53
20	¾"	19	48	77	53
25	1"	22	54	85	53
32	1¼"	29	59	103	59
40	1½"	36	61	117	71
50	2"	46.5	70	138	78



## 102B BRASS GATE VALVE(THREADED)

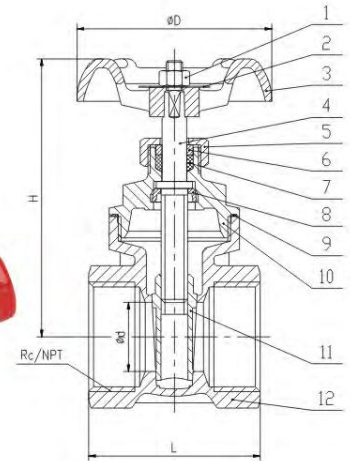
- ◆ Pressure Rating:PN16
- ◆ Working Medium:Water,Oil,Steam
- ◆ Working Temperature: $t \leq 170^{\circ}\text{C}$
- ◆ Pipe Thread To ISO228

### Bill of Materials

Sequence	Description	Material	Sizes
1	Nut	Stainless Steel	All
2	Nameplate	Aluminum	All
3	Handwheel	Cast Iron	All
4	Stem	Brass CW617N	All
5	Packing Nut	Brass CW614N	All
6	Stem Bush	Brass CW614N	All
7	Packing	P.T.F.E	All
8	Clamp Ring	Brass CW617N	All
9	Gasket	P.T.F.E	All
10	Bonnet	Brass CW617N	All
11	Disc	Brass CW617N	All
12	Body	Brass CW617N	All

### Dimensions

102B					
DN	INCH	d	L	H	D
15	½"	12.8	53	72	53
20	¾"	17	56.6	77	53
25	1"	21	62.2	87	59
32	1¼"	29	72	108	59
40	1½"	36	73.4	117	71
50	2"	46.5	87	138	78



## 103 BRASS GATE VALVE(THREADED)

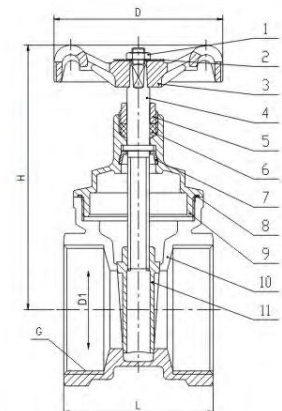
- ◆ Pressure Rating:PN16
- ◆ Working Medium:Water,Oil,Steam
- ◆ Working Temperature: $t \leq 170^{\circ}\text{C}$
- ◆ Pipe Thread To ISO228

### Bill of Materials

Sequence	Description	Material	Sizes
1	Handwheel Nut	Stainless Steel	All
2	Nameplate	Aluminum	All
3	Handwheel	Aluminum	All
4	Stem	Brass CW617N	All
5	Packing Nut	Brass CW614N	All
6	Packing	P.T.F.E	All
7	Stem Bush	Brass CW614N	All
8	Gasket	P.T.F.E	All
9	Bonnet	Brass CW617N	All
10	Body	Brass CW617N	All
11	Disc	Brass CW617N	All

### Dimensions

103						
DN	INCH	D1	G	L	H	D
15	½"	9	?	42	68	52
20	¾"	12.5	?	44	76	60
25	1"	17	1	51	87	65
32	1¼"	23	1?	58	99	70
40	1½"	28	1?	61	110	70
50	2"	36	2	69	122	78





## 162 BRONZE RISING STEM GATE VALVE (THREADED)

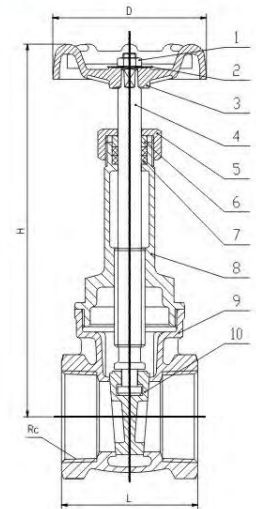
- ◆ Pressure Rating: PN20
- ◆ Working Medium: Water, Oil, Steam
- ◆ Working Temperature:  $t \leq 170^{\circ}\text{C}$
- ◆ Pipe Thread to ISO 7
- ◆ Comply With BS5154

### Bill of Materials

Sequence	Description	Material	Size
1	Nut	Brass CW614N	All
2	I.D Plate	Aluminum	All
3	Handwheel	Aluminum	All
4	Stem	DZR Brass CW602N	All
5	Packing Nut	Brass CW614N	All
6	Stem Bush	DZR Brass CW602N	All
7	Packing	P.T.F.E	All
8	Bonnet	Bronze CC491K	All
9	Body	Bronze CC491K	All
10	Disc	Bronze CC491K	All

### Dimensions

162					
DN	INCH	Rc	L	H	D
15	½"	½"	43	112	55
20	¾"	¾"	49	125	63
25	1"	1"	54	143	70
32	1¼"	1¼"	62	170	70
40	1½"	1½"	65	198	80
50	2"	2"	75	233	90



## 153 BRONZE RISING STEM GATE VALVE (THREADED)

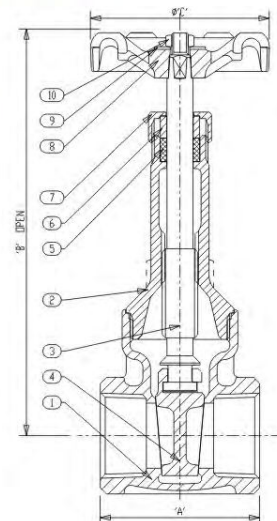
- ◆ Pressure Rating: PN32
- ◆ Working Medium: Water, Oil, Steam
- ◆ Working Temperature:  $t \leq 170^{\circ}\text{C}$
- ◆ Taper Pipe Thread To ISO 7
- ◆ Comply with BS5154 / MSS SP-80

### Bill of Materials

Sequence	Description	Material	Sizes
1	Body	Bronze CC491K	All
2	Bonnet	Bronze CC491K	All
3	Stem	Bronze CC491K	All
4	Disc	Bronze CC491K	All
5	Packing	P.T.F.E	All
6	Clamping Ring	Brass CW614N	All
7	Packing Nut	Brass CW614N	All
8	Handwheel	Aluminium	All
9	Id Plate	Aluminium	All
10	Handwheel Nut	Brass CW614N	All

### Dimensions

153				
DN	INCH	A	B	C
8	¼"	46	126	45
10	⅜"	46	126	45
15	½"	51	129	52
20	¾"	55	159	65
25	1"	63	189	70
32	1¼"	72.5	219	78
40	1½"	73	246	92
50	2"	83	301	92
65	2½"	108	369	134
80	3"	117	416	134



## 152BLS BRONZE GATE VALVE WITH LOCKSHIELD

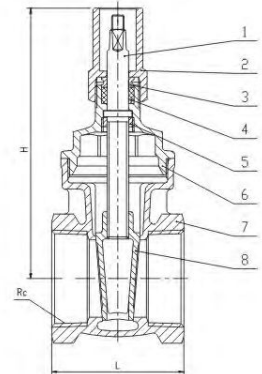
- ◆ Pressure Rating:PN20
- ◆ Working Medium:Water,Oil,Steam
- ◆ Working Temperature: $t \leq 170^{\circ}\text{C}$
- ◆ Taper Thread To Is07
- ◆ Comply With BS5154

### Bill of Materials

Sequence	Description	Material	Sizes
1	Stem	DZR Brass CW602N	All
2	Lockshield	Brass CW614N	All
3	Clamping Ring	Brass CW617N	All
4	Packing	P.T.F.E	All
5	Stem Bush	DZR Brass CW602N	All
6	Bonnet	Bronze CC491K	All
7	Body	Bronze CC491K	All
8	Disc	Bronze CC491K	All

### Dimensions

152BLS				
DN	INCH	L	H	
15	½"	43	78	
20	¾"	49	86	
25	1"	54	105	
32	1¼"	62	116	
40	1½"	65	133	
50	2"	75	155	



## 153B BRONZE GATE VALVE(THREADED)

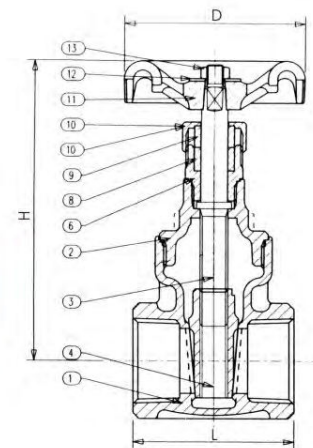
- ◆ Pressure Rating:PN32
- ◆ Working Medium:Water,Oil,Steam
- ◆ Working Temperature: $t \leq 170^{\circ}\text{C}$
- ◆ Taper Pipe Thread To ISO7
- ◆ Comply with BS5154 / MSS SP-80

### Bill of Materials

Sequence	Description	Material	Sizes
1	Body	Bronze CC491K	All
2	Bonnet	Bronze CC491K	All
3	Stem	DZR Brass CW602N	All
4	Disc	Bronze CC491K	All
6	Stuffing Box	DZR Brass CW602N	All
8	Packing Ring	P.T.F.E	All
9	Gland	Brass CW614N	All
10	Packing Nut	Brass CW614N	All
11	Handwheel	Aluminium	All
12	ID.Plate	Aluminium	All
13	Handwheel Nut	Brass CW614N	All

### Dimensions

153B					
DN	INCH	L	H	D	
8	¼"	46	75	45	
10	⅜"	46	75	45	
15	½"	51	82	52	
20	¾"	55	95	65	
25	1"	63	118	70	
32	1¼"	71	144	79	
40	1½"	73	166	92	
50	2"	83	190	103	
65	2½"	105	232	103	
80	3"	111	264	121	

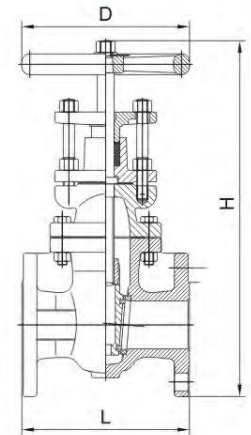


## 1201 GATE VALVE (NON RISING STEM)

- ◆ Pressure Rating:PN16
- ◆ Working Temperature:-10°C~120°C
- ◆ Design And Manufacture Conform To BS5150
- ◆ Flange Dimensions Conform To EN1092-2
- ◆ Face To Face Dimensions Conform To BS5150 & BS5163 PN16
- ◆ Testing Conform To BS6755

### Bill of Materials

Part	Material	Spec
Body	Cast Iron	EN-JL1040
	Ductile	EN-JL1050
Bonnet	Cast Iron	EN-JL1040
	Ductile	EN-JL1050
Disc	Cast Iron	EN-JL1040
	Ductile	EN-JL1050
Seat Ring	Bronze	EN1982 CC491K
	Brass	EN12165 CW603N
Stem	Stainless Steel 420	BS970 420S37
Packing	Graphite	Non-Asbestos
Handwheel	Cast Iron	EN-JL1040

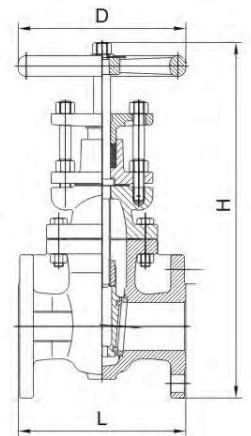


## 1202 GATE VALVE (NON RISING STEM)

- ◆ Pressure Rating:CLASS 125
- ◆ Working Temperature:-10°C~120°C
- ◆ Design And Manufacture Conform to MSS SP-70
- ◆ Flange Dimensions Conform to ANSI B16.1
- ◆ Face to Face Dimensions Conform to ANSI B16.10
- ◆ Testing Conforms To API 598

### Bill of Materials

Part	Material	Spec
Body	Cast Iron	A126 Class B
	Ductile	A536 65-45-12
Bonnet	Cast Iron	A126 Class B
	Ductile	A536 65-45-12
Disc	Cast Iron	A126 Class B
	Ductile	A536 65-45-12
Seat Ring	Bronze	B62 C83600
	Brass	B124 C37700
Stem	Stainless Steel 420	S42000
Packing	Graphite	Non-Asbestos
Handwheel	Cast Iron	A126 Class B



### Dimensions

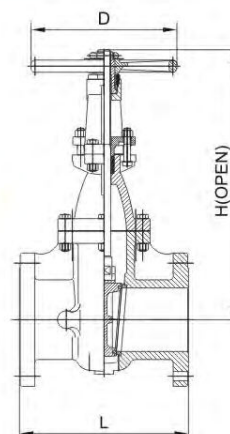
1201				1202			
DN	L	H	D	DN	L	H	D
50	178	278	180	50	178	278	180
65	190	312	180	65	190	312	180
80	203	327	200	80	203	327	200
100	229	400	250	100	229	400	250
125	254	489	300	125	254	489	300
150	267	544	300	150	267	544	300
200	292	632	350	200	292	632	350
250	330	772	400	250	330	772	400
300	356	863	450	300	356	863	450

## 1203 OS & Y METAL SEATED GATE VALVE

- ◆ Pressure Rating:PN16
- ◆ Working Temperature:-10°C~120°C
- ◆ Design And Manufacture Conform To BS5150
- ◆ Flange Dimensions Conform To EN1092-2
- ◆ Face To Face Dimensions Conform To BS5150 & BS5163 PN16
- ◆ Testing Conform To BS6755

### Bill of Materials

Part	Material	Spec
Body	Cast Iron	EN-JL1040
	Ductile	EN-JL1050
Bonnet	Cast Iron	EN-JL1040
	Ductile	EN-JL1050
Disc	Cast Iron	EN-JL1040
	Ductile	EN-JL1050
Seat Ring	Bronze	EN1982 CC491K
	Brass	EN12165 CW603N
Stem	Stainless Steel 420	BS970 420S37
Packing	Graphite	Non-Asbestos
Handwheel	Cast Iron	EN-JL1040

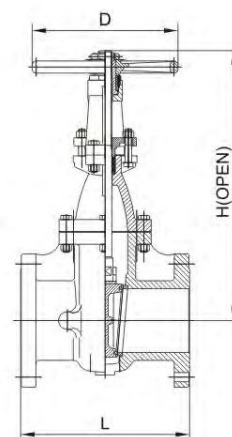


## 1204 OS & Y METAL SEATED GATE VALVE

- ◆ Pressure Rating:CLASS 125
- ◆ Working Temperature:-10°C~120°C
- ◆ Design And Manufacture Conform to MSS SP-70
- ◆ Flange Dimensions Conform to ANSI B16.1
- ◆ Face To Face Dimensions Conform to ANSI B16.10
- ◆ Testing Conforms To API 598

### Bill of Materials

Part	Material	Spec
Body	Cast Iron	A126 Class B
	Ductile	A536 65-45-12
Bonnet	Cast Iron	A126 Class B
	Ductile	A536 65-45-12
Disc	Cast Iron	A126 Class B
	Ductile	A536 65-45-12
Seat Ring	Bronze	B62 C83600
	Brass	B124 C37700
Stem	Stainless Steel 420	S42000
Packing	Graphite	Non-Asbestos
Handwheel	Cast Iron	A126 Class B



### Dimensions

1203				1204			
DN	L	H	D	DN	L	H	D
50	178	375	200	50	178	375	200
65	190	408	200	65	190	408	200
80	203	441	200	80	203	441	200
100	229	544	250	100	229	544	250
125	254	643	250	125	254	643	250
150	267	770	300	150	267	770	300
200	292	958	350	200	292	958	350
250	330	1255	450	250	330	1255	450
300	356	1442	450	300	356	1442	450

## 251A BRONZE BALL VALVE (THREADED)

- ◆ Pressure Rating: PN20
- ◆ Working Medium: Water, Oil, Gas
- ◆ Working Temperature:  $t \leq 170^{\circ}\text{C}$
- ◆ Taper Pipe Thread To ISO7

### Bill of Materials

Sequence	Description	Material	Sizes
1	Seat Retainer	Bronze CC491K	All
2	Gasket	P.T.F.E	All
3	Seat	P.T.F.E	All
4	Ball	Brass CW617N	All
5	Body	Bronze CC491K	All
6	Stem	Brass CW614N	All
7	Gasket	P.T.F.E	All
8	Packing	P.T.F.E	All
9	Gland Nut	Brass CW614N	All
10	Lever	Q235	All
11	Lever Cover	PVC	All
12	Gasket	65Mn	All
13	Lever Nut	Brass CW614N	All

### Dimensions

251A					
DN	INCH	d	L	H	D
15	½"	14	53	44	95
20	¾"	19	61	51	110
25	1"	24	71	55	110
32	1¼"	31	85	65	140
40	1½"	38	92	70	140
50	2"	49	114	83	160
65	2½"	63	134	118	220
80	3"	73	152	132	270
100	4"	90	182	150	280

## 252 BRONZE BALL VALVE (THREADED)

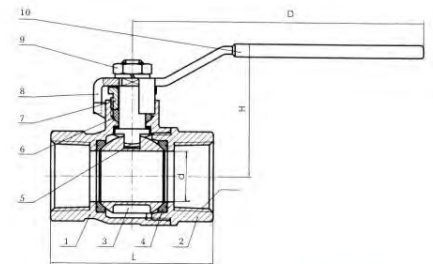
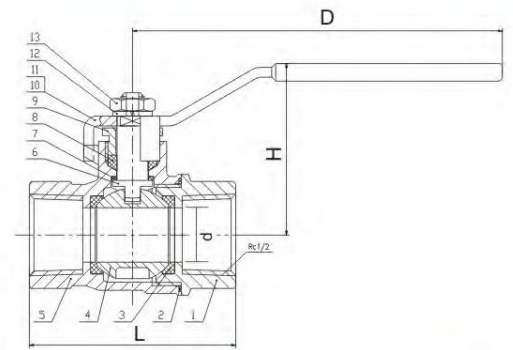
- ◆ Pressure Rating: PN25
- ◆ Working Medium: Water, Oil, Gas
- ◆ Working Temperature:  $t \leq 170^{\circ}\text{C}$
- ◆ Taper Pipe Thread To ISO7

### Bill of Materials

Sequence	Description	Material	Sizes
1	Body	Bronze CC491K	All
2	Seat Retainer	Bronze CC491K	All
3	Ball	DZR Brass CW602N	All
4	Seat	P.T.F.E	All
5	Stem	DZR Brass CW602N	All
6	Packing	P.T.F.E	All
7	Gland Nut	Brass CW617N	All
8	Lever	Zinc Plated	All
9	Lever Nut	Stainless Steel	All
10	Lever Cover	PVC	All

### Dimensions

252					
DN	INCH	d	L	H	D
8	¼"	10	46	39	81
10	⅜"	10	46	39	81
15	½"	15	56	50	92
20	¾"	20	67	57	92
25	1"	25	77	65	127
32	1¼"	32	92	71	127
40	1½"	40	103	79	142
50	2"	50	122	87	142

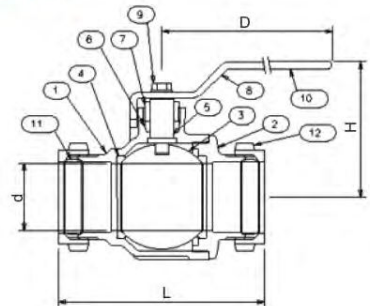


## 254C BRONZE BALL VALVE WITH COMPRESSION

- ◆ Pressure Rating:PN16
- ◆ Working Medium:Water, Oil, Gas
- ◆ Working Temperature: $t \leq 170^{\circ}\text{C}$
- ◆ Connection to BSEN1254-2

### Bill of Materials

Sequence	Description	Material	Sizes
1	Body	Bronze CC491K	All
2	Seat Retainer	Bronze CC491K	All
3	Ball	DZR Brass CW602N	All
4	Seat	P.T.F.E	All
5	Stem	DZR Brass CW602N	All
6	Packing	P.T.F.E	All
7	Gland Nut	DZR Brass CW602N	All
8	Lever	Mild Steel(Zinc Plated)	All
9	Screw	Steel	All
10	Lever Cover	PVC	All
11	Compression Sleeve	DZR Brass CW602N	All
12	Compression Nut	Brass CW617N	All



### Dimensions

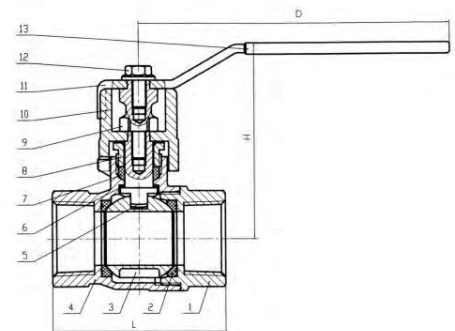
254C				
DN	d	L	H	D
15	12.7	80	40	82
22	20	84	58	92
28	25	95	65	127
35	32	111	70	127
42	40	124	83	142
54	50	149	91	142

## 255 BRONZE BALL VALVE(THREADED)

- ◆ Pressure Rating:PN20
- ◆ Working Medium:Water, Oil, Gas
- ◆ Working Temperature: $t \leq 170^{\circ}\text{C}$
- ◆ Taper Pipe Thread To ISO7

### Bill of Materials

Sequence	Description	Material	Sizes
1	Seat Retainer	Bronze CC491K	All
2	Seat	P.T.F.E	All
3	Ball	Brass CW617N	All
4	Body	Bronze CC491K	All
5	Stem	DZR Brass CW602N	All
6	Stem Gasket	P.T.F.E	All
7	Packing	P.T.F.E	All
8	Gland Nut	Brass CW617N	All
9	Extension Housing	Brass CW617N	All
10	Extension Stem	Aluminium	All
11	Lever	Mild Steel(Chrome Plated)	All
12	Lever Nut	Stainless Steel	All
13	Lever Cover	PVC	All



### Dimensions

255				
DN	INCH	L	H	D
15	1/2"	53	60	95
20	3/4"	61	69	110
25	1"	71	73	110

## 216 BRASS BALL VALVE(THREADED)

- ◆ Pressure Rating:PN25
- ◆ Working Medium:Water, Oil, Gas
- ◆ Working Temperature: $t \leq 120^{\circ}\text{C}$
- ◆ Pipe Thread To ISO228

### Bill of Materials

Sequence	Description	Material	Sizes
1	Lever Nut	SS304	All
2	Lever	SS304	All
3	Stem	DZR Brass CW602N	All
4	O Ring	HNBR	All
5	O Ring	EPDM	All
6	Seat	P.T.F.E	All
7	Ball	DZR Brass CW602N	All
8	Bonnet	DZR Brass CW602N	All
9	Body	DZR Brass CW602N	All

### Dimensions

216						
DN	INCH	L	L1	L2	$\phi D$	H
6	1/8"	43.5	9	70	9.5	28
8	1/4"	43.5	9	70	9.5	28
10	3/8"	46	10.5	70	9.5	28
15	1/2"	60	16.8	92	14	45
20	3/4"	67	17.7	92	19	50
25	1"	76	19.2	105	24	56
32	1 1/4"	93	23.2	134	32	73
40	1 1/2"	101	22.7	134	40	78
50	2"	122	27.3	144	49	93
65	2 1/2"	132	25	242	62	121
80	3"	157	30	242	74	131
100	4"	184	32	264	95	149.1

## 216A BRASS BALL VALVE(THREADED)

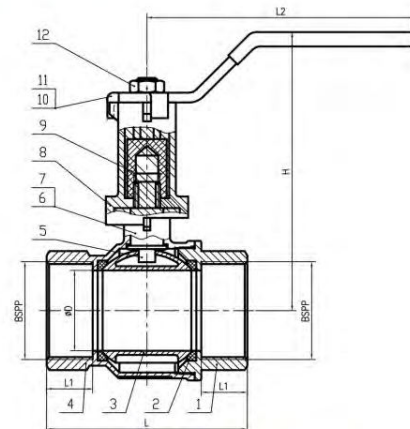
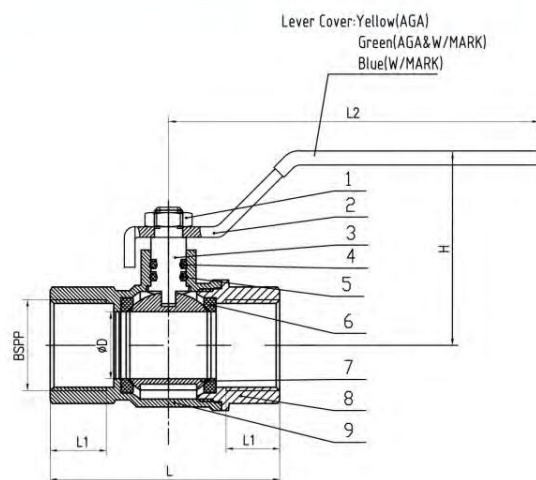
- ◆ Pressure Rating:PN25
- ◆ Working Medium:Water, Oil, Gas
- ◆ Working Temperature: $t \leq 120^{\circ}\text{C}$
- ◆ Pipe Thread To ISO228

### Bill of Materials

Sequence	Description	Material	Sizes
1	Bonnet	DZR Brass CW602N	All
2	Seat	P.T.F.E	All
3	Ball	DZR Brass CW602N	All
4	Body	DZR Brass CW602N	All
5	Stem	Brass CW614N	All
6	O Ring	EPDM	All
7	O Ring	HNBR	All
8	Extension Housing	Brass CW614N	All
9	Extension Stem	Brass CW614N	All
10	Lever	SS304	All
11	Lever Cover	PVC	All
12	Lever Nut	SS304	All

### Dimensions

216A						
DN	INCH	L	L1	L2	$\phi D$	H
15	1/2"	60	16.8	92	14	84
20	3/4"	67	17.7	92	19	87
25	1"	76	19.2	105	24	95
32	1 1/4"	93	23.2	134	32	108
40	1 1/2"	101	22.7	134	40	114
50	2"	122	27.3	144	49	130

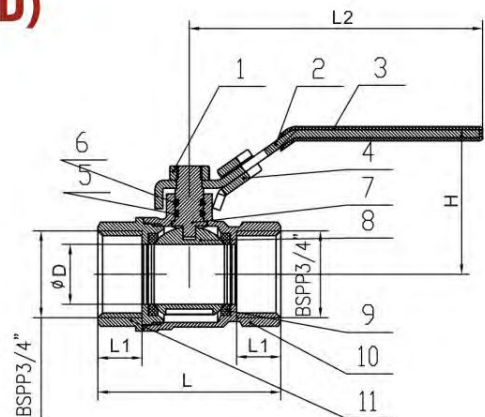


## 216LS BRASS BALL VALVE(LOCKSHIELD)

- ◆ Pressure Rating:PN25
- ◆ Working Medium:Water,Oil,Gas
- ◆ Working Temperature: $t \leq 120^{\circ}\text{C}$
- ◆ Pipe Thread To ISO228

### Bill of Materials

Sequence	Description	Material	Sizes
1	Lever Nut	SS304	All
2	Lever	SS304	All
3	Lever Cover	PVC	All
4	Lock Ring	SS304	All
5	O Ring	EPDM	All
6	O Ring	HNBR	All
7	Stem	DZR Brass CW602N	All
8	Ball	DZR Brass CW602N	All
9	Seat	P.T.F.E	All
8	Body	DZR Brass CW602N	All
9	Bonnet	DZR Brass CW602N	All



### Dimensions

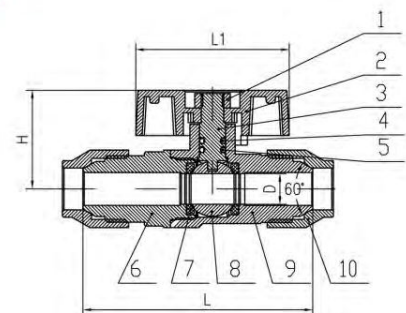
216LS						
DN	INCH	L	L1	L2	∅ D	H
15	1/2"	60	16.8	92	14	45
20	3/4"	67	17.7	92	19	50
25	1"	76	19.2	105	24	56
32	1 1/4"	93	23.2	134	32	73
40	1 1/2"	101	22.7	134	40	78
50	2"	122	27.3	144	49	93

## 2302 BRASS BALL VALVE(COMPRESSION)

- ◆ Pressure Rating:PN25
- ◆ Working Medium:Water,Oil,Gas
- ◆ Working Temperature: $t \leq 120^{\circ}\text{C}$
- ◆ Pipe Thread To ISO228

### Bill of Materials

Sequence	Description	Material	Sizes
1	Lever Nut	SS304	All
2	T Handle	Aluminum	All
3	Stem	DZR Brass CW602N	All
4	O Ring	HNBR	All
5	O Ring	EPDM	All
6	Bonnet	DZR Brass CW602N	All
7	Seat	P.T.F.E	All
8	Ball	DZR Brass CW602N	All
9	Body	DZR Brass CW602N	All
10	Female Nipple	DZR Brass CW602N	All



### Dimensions

2302					
DN	INCH	D	L	L1	H
15	1/2"	9.5	71.1	47.5	30.5
20	3/4"	14	79.5	47.5	35



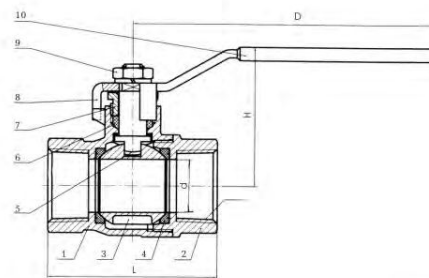
# BALL VALVE

## 2301 BRASS BALL VALVE (THREADED)

- ◆ Pressure Rating: PN25
- ◆ Working Medium: Water, Oil, Gas
- ◆ Working Temperature:  $t \leq 170^{\circ}\text{C}$
- ◆ Pipe Thread To ISO228

### Bill of Materials

Sequence	Description	Material	Sizes
1	Body	Brass CW614N	All
2	Seat Retainer	Brass CW614N	All
3	Ball	Brass CW614N	All
4	Seat	P.T.F.E	All
5	Stem	Brass CW614N	All
6	Packing	P.T.F.E	All
7	Gland Nut	Brass CW614N	All
8	Lever	Mild Steel(Chrome Plated)	All
9	Lever Nut	Stainless Steel	All
10	Lever Cover	PVC	All



### Dimensions

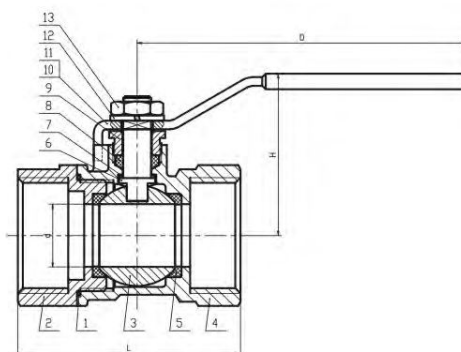
2301					
DN	INCH	d	L	H	D
8	3/4"	11	43.5	32.5	69.5
10	3/8"	12	43.5	32.5	69.5
15	1/2"	14	49	36.5	100
20	3/4"	19	58.5	40	100
25	1"	23	63.5	45.5	110
32	1 1/4"	30	74.5	57	140
40	1 1/2"	37	85	61.5	140
50	2"	45	99	70.5	163.5
65	2 1/2"	57	120.5	93	226
80	3"	68	136	101	226
100	4"	84	156.5	118.5	226

## 218 BRASS BALL VALVE (THREADED)

- ◆ Pressure Rating: PN16
- ◆ Working Medium: Water, Oil, Gas
- ◆ Working Temperature:  $t \leq 170^{\circ}\text{C}$
- ◆ Pipe Thread To ISO228

### Bill of Materials

Sequence	Description	Material	Sizes
1	Gasket	P.T.F.E	All
2	Seat Retainer	Brass CW617N	All
3	Ball	Brass CW617N	All
4	Body	Brass CW617N	All
5	Gasket	P.T.F.E	All
6	Stem	Brass CW617N	All
7	Stem Gasket	P.T.F.E	All
8	Packing	P.T.F.E	All
9	Gland Nut	Brass CW617N	All
10	Handle	Mild Steel(Chrome Plated)	All
11	Lever Cover	PVC	All
12	Gasket	Steel	All
13	Nut	Brass CW614N	All



### Dimensions

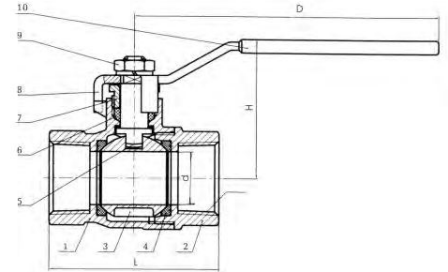
218					
DN	INCH	d	L	H	D
15	1/2"	9.5	50	40	90
20	3/4"	13.5	58.5	44	95
25	1"	18	64	47	95
32	1 1/4"	24	75	55	110
40	1 1/2"	31	84	65	140
50	2"	38	94	70	140

## 201 BRASS BALL VALVE(THREADED)

- ◆ Pressure Rating:PN20
- ◆ Working Medium:Water, Oil, Gas
- ◆ Working Temperature: $t \leq 170^{\circ}\text{C}$
- ◆ Pipe Thread To ISO228

### Bill of Materials

Sequence	Description	Material	Sizes
1	Body	Brass CW617N	All
2	Seat Retainer	Brass CW617N	All
3	Ball	Brass CW617N	All
4	Seat	P.T.F.E	All
5	Stem	Brass CW617N	All
6	Packing	P.T.F.E	All
7	Gland Nut	Brass CW617N	All
8	Lever	Mild Steel(Chrome Plated)	All
9	Lever Nut	Stainless Steel	All
10	Lever Cover	PVC	All



### Dimensions

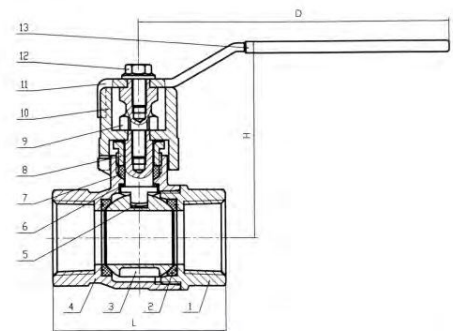
201					
DN	INCH	d	L	H	D
15	½"	12.7	53	46	95
20	¾"	15	57	51	110
25	1"	20	72	56	110
32	1¼"	25	79	64	140
40	1½"	32	89	68	140
50	2"	40	105	81	160

## 215 BRASS BALL VALVE(THREADED)

- ◆ Pressure Rating:PN20
- ◆ Working Medium:Water, Oil, Gas
- ◆ Working Temperature: $t \leq 170^{\circ}\text{C}$
- ◆ Pipe Thread To ISO228

### Bill of Materials

Sequence	Description	Material	Sizes
1	Seat Retainer	Brass CW617N	All
2	Seat	P.T.F.E	All
3	Ball	Brass CW617N	All
4	Body	Brass CW617N	All
5	Stem	Brass CW617N	All
6	Stem Gasket	P.T.F.E	All
7	Packing	P.T.F.E	All
8	Gland Nut	Brass CW617N	All
9	Extension Housing	Brass CW617N	All
10	Extension Stem	Aluminium	All
11	Lever	Mild Steel(Chrome Plated)	All
12	Lever Nut	Stainless Steel	All
13	Lever Cover	PVC	All



### Dimensions

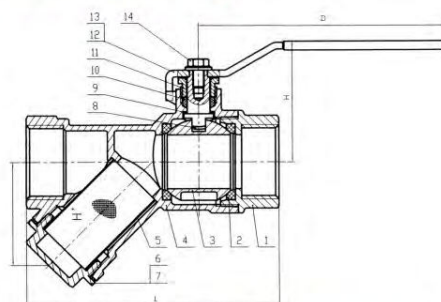
215				
DN	INCH	L	H	D
15	½"	53	60	95
20	¾"	61	69	110
25	1"	71	73	110

## 265A BRONZE BALL VALVE + STRAINER (THREADED)

- ◆ Pressure Rating: PN20
- ◆ Working Medium: Water, Oil, Gas
- ◆ Working Temperature:  $t \leq 170^{\circ}\text{C}$
- ◆ Taper Pipe Thread To ISO7

### Bill of Materials

Sequence	Description	Material	Sizes
1	Seat Retainer	Bronze CC491K	All
2	Seat	P.T.F.E	All
3	Ball	Brass CW617N	All
4	Body	Bronze CC491K	All
5	Screen	Stainless Steel Type 304	All
6	Gasket	P.T.F.E	All
7	Cap	Bronze CC491K	All
8	Stem	Brass CW617N	All
9	Stem Gasket	P.T.F.E	All
10	Packing	P.T.F.E	All
11	Gland Nut	Brass CW617N	All
12	Lever	Mild Steel (Chrome Plated)	All
13	Lever Cover	PVC	All
14	Lever Nut	Stainless Steel	All

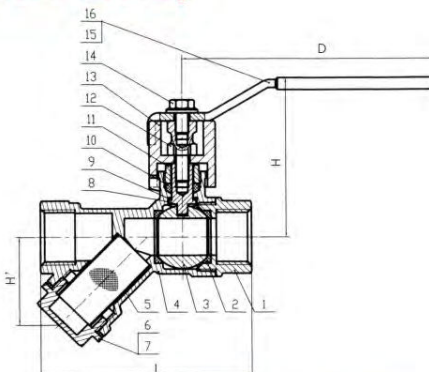


## 235C BRASS BALL VALVE + STRAINER (THREADED)

- ◆ Pressure Rating: PN16
- ◆ Working Medium: Water, Oil, Gas
- ◆ Working Temperature:  $t \leq 170^{\circ}\text{C}$
- ◆ Pipe Thread To ISO228

### Bill of Materials

Sequence	Description	Material	Sizes
1	Seat Retainer	Brass CW617N	All
2	Seat	P.T.F.E	All
3	Ball	Brass CW617N	All
4	Body	Brass CW617N	All
5	Screen	Stainless Steel Type 304	All
6	Gasket	P.T.F.E	All
7	Cap	Brass CW617N	All
8	Stem	Brass CW617N	All
9	Stem Gasket	P.T.F.E	All
10	Packing	P.T.F.E	All
11	Gland Nut	Brass CW617N	All
12	Entension Stem	Aluminium	All
13	Extension Housing	Brass CW617N	All
14	Lever Nut	Stainless Steel	All
15	Lever	Mild Steel (Chrome Plated)	All
16	Lever Cover	PVC	All



### Dimensions

265A						235C					
DN	INCH	L	H	D	H'	DN	INCH	L	H	D	H'
15	½"	80	44	95	33	15	½"	80	60	95	33
20	¾"	92	47	110	38	20	¾"	92	69	110	38
25	1"	112	55	110	46	25	1"	112	73	110	46
32	1¼"	141	65	140	55						

## 351Z BRONZE GLOBE VALVE (THREADED)

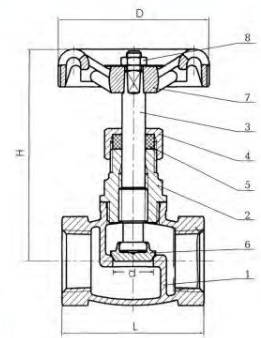
- ◆ Pressure Rating: PN16
- ◆ Working Medium: Water, Oil, Steam
- ◆ Working Temperature:  $t \leq 170^{\circ}\text{C}$
- ◆ Taper Pipe Thread To ISO7

### Bill of Materials

Sequence	Description	Material	Sizes
1	Body	Bronze CC491K	All
2	Bonnet	Bronze CC491K	All
3	Stem	DZR Brass CW602N	All
4	Packing Nut	Brass CW614N	All
5	Packing	P.T.F.E	All
6	Disc	Bronze CC491K	1½" -2"
6	Disc	DZR Brass CW602N	1/2" -1"
7	Handwheel	Aluminium	All
8	Handwheel Nut	Stainless Steel	All

### Dimensions

351Z					
DN	INCH	d	L	H	D
15	½"	14	49	71	52
20	¾"	14	56	73	60
25	1"	19	66	87	65
32	1¼"	24	74	95	70
40	1½"	32	85	110	78
50	2"	38	100	124	92



## 352A BRONZE GLOBE VALVE (THREADED)

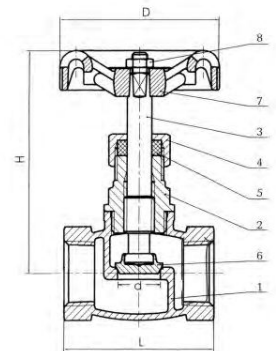
- ◆ Pressure Rating: PN20
- ◆ Working Medium: Water, Oil, Steam
- ◆ Working Temperature:  $t \leq 170^{\circ}\text{C}$
- ◆ Taper Pipe Thread To ISO7

### Bill of Materials

Sequence	Description	Material	Sizes
1	Body	Bronze CC491K	All
2	Bonnet	Bronze CC491K	All
3	Stem	DZR Brass CW602N	All
4	Packing Nut	Brass CW614N	All
5	Packing	P.T.F.E	All
6	Disc	Bronze CC491K	1½" -2"
6	Disc	DZR Brass CW602N	1/2" -1"
7	Handwheel	Aluminium	All
8	Handwheel Nut	Stainless Steel	All

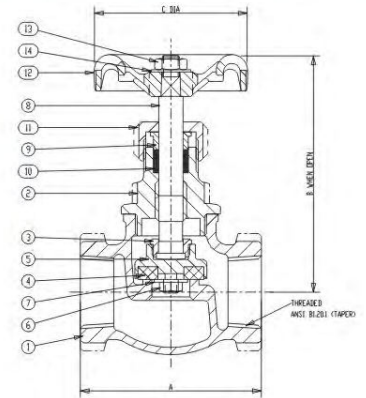
### Dimensions

352A					
DN	INCH	d	L	H	D
15	½"	14	52	70	60
20	¾"	19	63	82	65
25	1"	24	76	92	70
32	1¼"	32	84	108	78
40	1½"	38	98	120	92
50	2"	48	116	140	103



## 354 BRONZE GLOBE VALVE (THREADED)

- ◆ Pressure Rating: PN32
- ◆ Working Medium: Water, Oil, Steam
- ◆ Working Temperature:  $t \leq 180^{\circ}\text{C}$
- ◆ Taper Pipe Thread To ISO7
- ◆ Comply with BS5154/MSS SP-80



### Bill of Materials

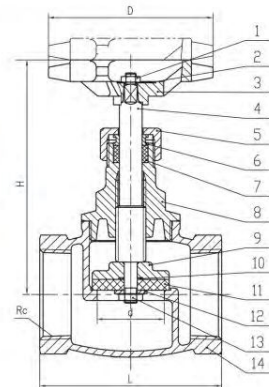
Sequence	Description	Material	Sizes
1	Body	Bronze CC491K	All
2	Bonnet	Bronze CC491K	All
3	Disc Stem Ring	Brass CW602N	All
4	Disc	P.T.F.E	All
5	Disc Holder	Bronze CC491K	1¼" ~ 3"
5	Disc Holder	DZR Brass CW602N	½" ~ 1"
6	Disc Nut	Brass CW602N	All
7	Washer	Brass CW602N	All
8	Stem	Brass CW602N	All
9	Gland	Brass CW614N	All
10	Packing	Asbestos Free	All
11	Packing Nut	Brass CW614N	All
12	Handwheel	Aluminum	All
13	Handwheel Nut	Brass CW614N	All
14	I.D Plate	Aluminum	All

### Dimensions

354				
DN	INCH	A	B	C
15	½"	62	101	52
20	¾"	74	115	52
25	1"	90	125	70
32	1¼"	100	150	70
40	1½"	115	159	92
50	2"	136	191	103
65	2½"	166	220	121
80	3"	190	255	152

## 363 BRONZE GLOBE VALVE (PTFE DISC)

- ◆ Pressure Rating: PN20
- ◆ Working Medium: Water, Oil, Steam
- ◆ Working Temperature:  $t \leq 170^{\circ}\text{C}$
- ◆ Taper Pipe Thread To ISO7



### Bill of Materials

Sequence	Description	Material	Sizes
1	Handwheel Nut	Brass CW614N	All
2	Name plate	Aluminium	All
3	Handwheel	Aluminium Alloy	All
4	Stem	DZR Brass CW602N	All
5	Packing Nut	Brass CW614N	All
6	Clamping Ring	Brass CW617N	All
7	Packing	P.T.F.E	All
8	Bonnet	Bronze CC491K	All
9	Seat	DZR Brass CW602N	All
10	O Ring	FPM	All
11	Disc	P.T.F.E	All
12	Gasket	Brass CW617N	All
13	Disc Nut	Brass CW614N	All
14	Body	Bronze CC491K	All

### Dimensions

363					
DN	INCH	d	L	H	D
15	½"	14	52	70	60
20	¾"	19	63	82	65
25	1"	24	76	92	70
32	1¼"	32	84	108	78
40	1½"	38	98	120	92
50	2"	48	116	140	103

## 302 BRASS GLOBE VALVE(THREADED)

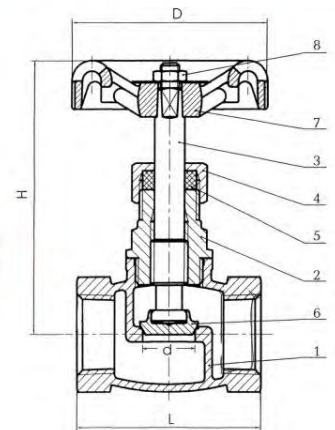
- ◆ Pressure Rating:PN16
- ◆ Working Medium:Water,Oil,Steam
- ◆ Working Temperature: $t \leq 170^{\circ}\text{C}$
- ◆ Pipe Thread To ISO228

### Bill of Materials

Sequence	Description	Material	Sizes
1	Body	Brass CW617N	All
2	Bonnet	Brass CW617N	All
3	Stem	Brass CW617N	All
4	Packing Nut	Brass CW614N	All
5	Packing	P.T.F.E	All
6	Disc	Brass CW617N	All
7	Handwheel	Cast-iron	302
7	Handwheel	Aluminium	302B
8	Handwheel Nut	Stainless Steel	All

### Dimensions

302					
DN	INCH	d	L	H	D
15	½"	12.7	46	62	55
20	¾"	19	55	69	60
25	1"	25	68	83	72



## 302B BRASS GLOBE VALVE(THREADED)

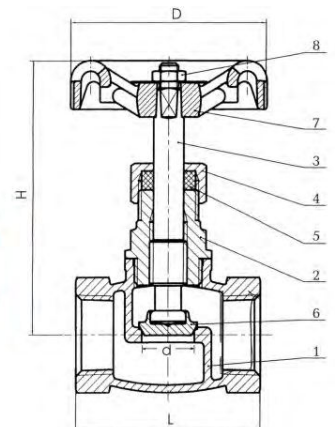
- ◆ Pressure Rating:PN16
- ◆ Working Medium:Water,Oil,Steam
- ◆ Working Temperature: $t \leq 170^{\circ}\text{C}$
- ◆ Pipe Thread To ISO228

### Bill of Materials

Sequence	Description	Material	Sizes
1	Body	Brass CW617N	All
2	Bonnet	Brass CW617N	All
3	Stem	Brass CW617N	All
4	Packing Nut	Brass CW614N	All
5	Packing	P.T.F.E	All
6	Disc	Brass CW617N	All
7	Handwheel	Cast-iron	302
7	Handwheel	Aluminium	302B
8	Handwheel Nut	Stainless Steel	All

### Dimensions

302B					
DN	INCH	d	L	H	D
32	1¼"	24	74	95	70
40	1½"	32	85	110	78
50	2"	38	100	124	92



## 302C BRASS GLOBE VALVE(THREADED)

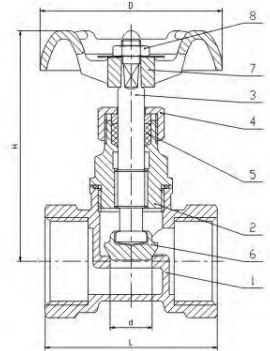
- ◆ Pressure Rating:PN16
- ◆ Working Medium:Water,Oil,Steam
- ◆ Working Temperature: $t \leq 170^{\circ}\text{C}$
- ◆ Pipe Thread To ISO228

### Bill of Materials

Sequence	Description	Material	Sizes
1	Body	Brass CW617N	All
2	Bonnet	Brass CW617N	All
3	Stem	Brass CW617N	All
4	Packing Nut	Brass CW614N	All
5	Packing	P.T.F.E	All
6	Disc	Brass CW617N	All
7	Handwheel	Aluminum	All
8	Handwheel Nut	Stainless Steel	All

### Dimensions

302C					
DN	INCH	d	L	H	D
15	½"	11	46	64	55
20	¾"	12.7	52	69	55
25	1"	19	65	77	60
32	1¼"	25	74	93	72
40	1½"	33	85	104	80
50	2"	38	95	126	100



## 356A BRONZE GLOBE VALVE(FLANGED)

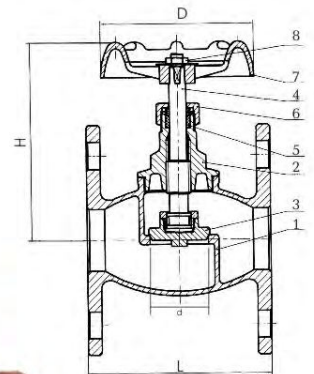
- ◆ Pressure Rating:PN16
- ◆ Working Medium:Water,Oil,Steam
- ◆ Working Temperature: $t \leq 170^{\circ}\text{C}$
- ◆ End Connection: Flanged BS4504

### Bill of Materials

Sequence	Description	Material	Sizes
1	Body	Bronze CC491K	All
2	Bonnet	Bronze CC491K	All
3	Disc	Bronze CC491K	All
4	Stem	Stainless Steel 2Cr13	All
5	Packing	P.T.F.E	All
6	Packing Nut	Brass CW614N	All
7	Handwheel	Cast-iron	All
8	Handwheel Nut	Stainless Steel	All

### Dimensions

356A					
DN	INCH	d	L	H	D
32	1¼"	32	110	114	80
40	1½"	38	120	129	100
50	2"	48	135	142	110
65	2½"	64	165	165	130



## 3201 GLOBE VALVE

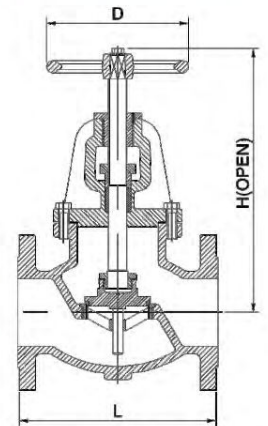
- ◆ Pressure Rating:PN16
- ◆ Working Temperature:-10~120°C
- ◆ Design and Manufacturer conform to BS5163
- ◆ Flange dimensions conform to EN1092-2
- ◆ Testing Conform To BS6755

### Bill of Materials

Part	Material	Spec
Body	Cast Iron	EN-JL 1040
Bonnet	Cast Iron	EN-JL 1040
Disc	Stainless Steel 420(15-50)	
	Cast Iron(65-300mm)	EN-JL 1040
Seat Ring	Stainless Steel 420	BS970 420S37
Stem	Stainless Steel 420	BS970 420S37
Packing	Graphite	Non-Asbesto
Handwheel	Cast Iron	EN-JL 1040

### Dimensions

3201			
DN	L	H	D
50	203	282	200
65	216	292	200
80	241	337	255
100	292	394	255
125	330	445	306
150	356	495	360
200	495	635	360
250	622	775	406
300	698	858	406



## 3202 GLOBE VALVE

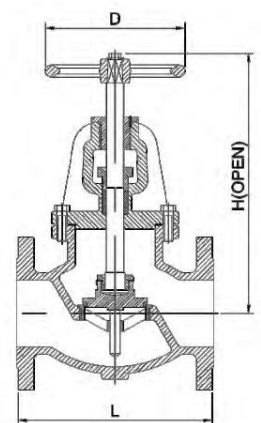
- ◆ Pressure Rating:CLASS125
- ◆ Working Temperature:-10~120°C
- ◆ Design and manufacturer conform to MSS SP-85
- ◆ Flange dimension conform to ANSI B16.10
- ◆ Testing conform to API 598

### Bill of Materials

Part	Material	Spec
Body	Cast Iron	A126 Class B
Bonnet	Cast Iron	A126 Class B
Disc	Bronze	B62 C83600
Seat Ring	Bronze	B62 C83600
Stem	Brass	B16 C36000
	Stainless Steel 420	S42000
Packing	Graphite	Non-Asbesto
Handwheel	Cast Iron	A126 Class B

### Dimensions

3202			
DN	L	H	D
50	203	282	200
65	216	292	200
80	241	337	255
100	292	394	255
125	330	445	306
150	356	495	360
200	495	635	360
250	622	775	406
300	698	858	406





## 451A BRONZE CHECK VALVE (THREADED)

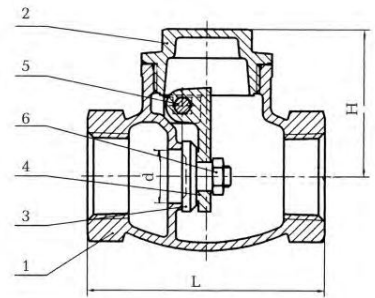
- ◆ Pressure Rating: PN20
- ◆ Working Medium: Water, Oil, Steam
- ◆ Working Temperature:  $t \leq 170^{\circ}\text{C}$
- ◆ Taper Pipe Thread To ISO7

### Bill of Materials

Sequence	Description	Material	Sizes
1	Body	Bronze CC491K	All
2	Cap	Bronze CC491K	All
3	Disc	Bronze CC491K	All
4	Hinge	Brass CW617N	All
5	Hinge Pin	Stainless Steel 2Cr13	All
6	Hinge Nut	Brass CW617N	All

### Dimensions

451A				
DN	INCH	d	L	H
15	½"	13	58	37
20	¾"	19	66	43
25	1"	25	76	49
32	1¼"	32	88	57.5
40	1½"	39	96	63
50	2"	50	112	72



## 451B BRONZE CHECK VALVE (THREADED)

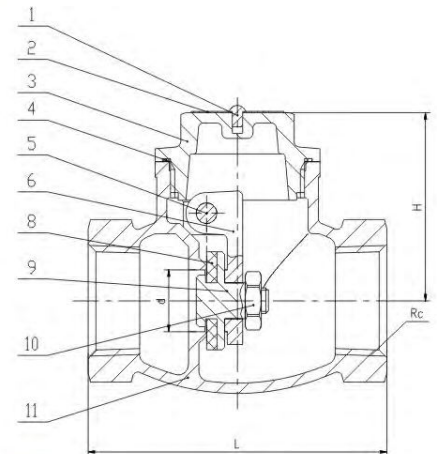
- ◆ Pressure Rating: PN20
- ◆ Working Medium: Water, Oil, Steam
- ◆ Working Temperature:  $t \leq 80^{\circ}\text{C}$
- ◆ Taper Pipe Thread To ISO7

### Bill of Materials

Sequence	Description	Material	Sizes
1	Drive Screw	TP2	All
2	Name Plate	Aluminum	All
3	Cap	Bronze CC491K	All
4	Packing	P.T.F.E	All
5	Hinge Pin	SS304	All
6	Hinge	Bronze CC491K	All
7	Disc	NBR	All
8	Disc Holder	Bronze CC491K	All
9	Hinge Nut	SS304	All
10	Body	Bronze CC491K	All

### Dimensions

451B				
DN	INCH	d	L	H
15	½"	12	58	36.5
20	¾"	18	66	43
25	1"	24	76	49
32	1¼"	30.6	88	57
40	1½"	37	96	62.5
50	2"	48.6	112	72



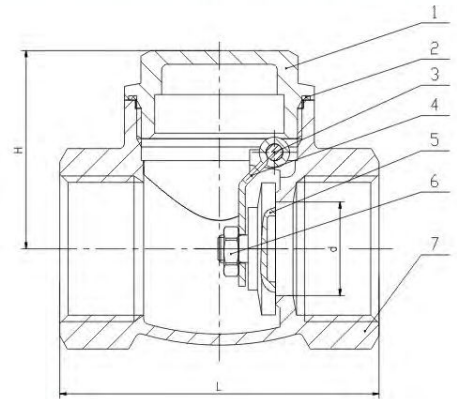
# CHECK VALVE

## 401A BRASS CHECK VALVE (THREADED)

- ◆ Pressure Rating: PN16
- ◆ Working Medium: Water, Oil, Gas
- ◆ Working Temperature:  $t \leq 170^{\circ}\text{C}$
- ◆ Test Pressure : According to GB/T13927

### Bill of Materials

Sequence	Description	Material	Sizes
1	Cap	Brass CW617N	All
2	Packing	PTFE	All
3	Hinge Pin	Brass CW617N	All
4	Hinge	H62	All
5	Disc	Brass CW617N	All
6	Hinge Nut	H62	All
7	Body	Brass CW617N	All



### Dimensions

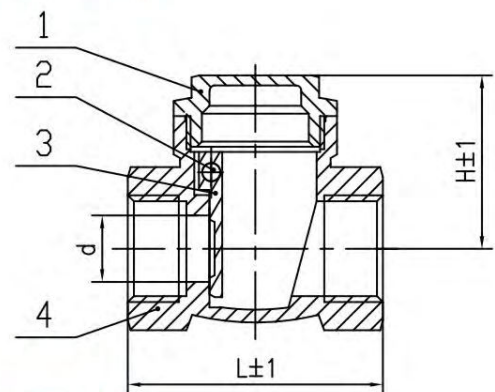
401A				
DN	INCH	d	L	H
15	½"	13	49	31.5
20	¾"	17	58	36
25	1"	23	69	43.5
32	1¼"	28	76	45.5
40	1½"	33	83	52
50	2"	44	92	57.5

## 4301 BRASS SWING CHECK VALVE (THREADED)

- ◆ Pressure Rating: PN16
- ◆ Working Medium: Water, Oil, Steam
- ◆ Working Temperature:  $t \leq 170^{\circ}\text{C}$
- ◆ Pipe Thread To ISO228

### Bill of Materials

Sequence	Description	Material	Sizes
1	Body	Brass CW617N	All
2	Cap	Brass CW614N	All
3	Disc	Brass CW614N	All
4	Hinge	Brass CW614N	All
5	Hinge Pin	Stainless Steel 2Cr13	All



### Dimensions

4301				
DN	INCH	L	H	d
15	½"	46.5	33	12
20	¾"	52	35	17
25	1"	62	41.5	22
32	1¼"	69.5	49.5	28
40	1½"	72	51.5	32
50	2"	83	58.5	41
65	2½"	106	75	49
80	3"	136	84	68
100	4"	166	100.5	91

## 455 BRONZE LIFT CHECK VALVE

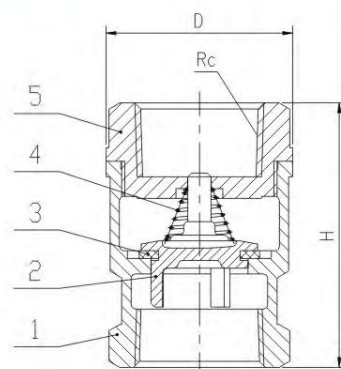
- ◆ Pressure Rating:PN20
- ◆ Working Medium:Water,Oil,Steam
- ◆ Working Temperature: $t \leq 110^{\circ}\text{C}$
- ◆ Taper Pipe Thread To ISO7

### Bill of Materials

Sequence	Description	Material	Size
1	Body	Bronze B62 C83600	All
2	Disc	Bronze B62 C83600	All
3	Seat	NBR	All
4	Spring	Stainless Steel Type304	All
5	Bonnet	Bronze B62 C83600	All

### Dimensions

455			
DN	INCH	D	H
15	1/2"	33	53
20	3/4"	41	60
25	1"	48	68
32	1 1/4"	58	79
40	1 1/2"	70	85
50	2"	82	98



## 461 BRONZE Y-TYPE CHECK VALVE

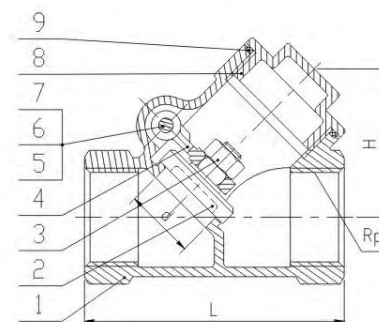
- ◆ Pressure Rating:PN25
- ◆ Working Medium:Water,Oil,Steam
- ◆ Working Temperature: $t \leq 170^{\circ}\text{C}$
- ◆ Taper Pipe Thread To ISO7

### Bill of Materials

Sequence	Description	Material	Size
1	Body	Bronze CC491K	All
2	Disc	Bronze CC491K	All
3	Hinge	Bronze CC491K	All
4	Hinge Pin	Bronze CC491K	All
5	Gasket	P.T.F.E	All
6	Screw	Brass CW614N	All
7	Cap	Bronze CC491K	All
8	Gasket	P.T.F.E	All

### Dimensions

461				
DN	INCH	d	L	H
15	1/2"	15	65	36
20	3/4"	19	70	40
25	1"	25	90	47
32	1 1/4"	32	95	56
40	1 1/2"	40	115	64
50	2"	50	135	76



## 4303 BRASS FOOT VALVE

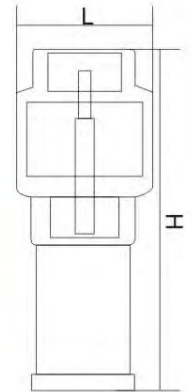
- ◆ Pressure Rating:PN10
- ◆ Working Medium:Water,Oil,Steam
- ◆ Working Temperature: $t \leq 110^{\circ}\text{C}$
- ◆ Pipe Thread To ISO228

### Bill of Materials

Sequence	Description	Material	Sizes
1	Body	Brass CW614N	All
2	Bonnet	Brass CW614N	All
3	Disc	Brass CW614N	All
4	Stem	Brass CW614N	All
5	Rubber	Nitrile Rubber	All
6	Spring	Stainless Steel Type304	All
7	Mesh	SS304	All

### Dimensions

4303			
DN	INCH	L	H
15	½"	33.5	70
20	¾"	41	80
25	1"	45.5	93
32	1¼"	56.2	103
40	1½"	65.7	117.7
50	2"	74	131
65	2½"	97	153
80	3"	112	177
100	4"	142.5	180



## 407 BRASS CHECK VALVE(THREADED)

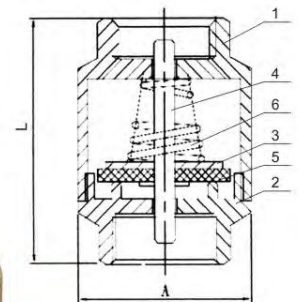
- ◆ Pressure Rating:PN10
- ◆ Working Medium:Water,Oil,Steam
- ◆ Working Temperature: $t \leq 110^{\circ}\text{C}$
- ◆ Pipe Thread To ISO228

### Bill of Materials

Sequence	Description	Material	Sizes
1	Body	Brass CW614N	All
2	Bonnet	Brass CW614N	All
3	Disc	Brass CW614N	All
4	Stem	Brass CW614N	All
5	Rubber	Nitrile Rubber	All
6	Spring	Stainless Steel Type304	All

### Dimensions

407			
DN	INCH	A	L
15	½"	33	46.5
20	¾"	42	56.5
25	1"	46	60.5
32	1¼"	59	61.5
40	1½"	66	67
50	2"	80	85
65	2½"	95	92.5
80	3"	110	97.5
100	4"	145	110



## 4203 WAFER TYPE DOUBLE DOOR CHECK VALVE

- ◆ Pressure Rating: PN16/CLASS 125
- ◆ Working Temperature: -20~110°C (EPDM)  
-10~80°C (NBR)
- ◆ Design conform to DIN3202/API594

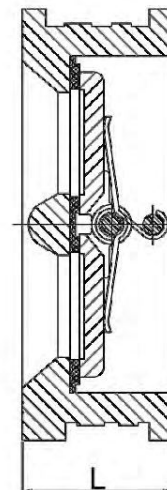
### Bill of Materials

Part	Material	Spec
Body	Cast Iron	A126 Class B
	Ductile Iron	A536 65-45-12
	Stainless Steel 316	A351 CF8M
	Carbon Steel	A216WCB
Disc	Ductile Iron	A536 65-45-12
	Aluminum Bronze	B584 C95400
	Stainless Steel 304	A351 Cf8
	Stainless Steel 316	A351 CF8M
Stem	Stainless Steel 316	S31600
Seat Ring	EPDM/NBR	Commercial
Spring	Stainless Steel 316	S31600
	Stainless Steel 304	S30400



### Dimensions

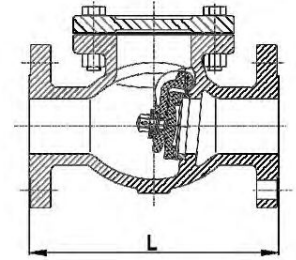
4203		
DN	L	H
50	43	54
65	46	54
80	64	57
100	64	64
125	70	70
150	76	76
200	89	95
250	114	108
300	114	143
350	127	184
400	140	191
450	152	203
500	152	213
600	178	222
700	229	
800	241	



# CHECK VALVE

## 4201 SWING TYPE CHECK VALVE

- ◆ Pressure Rating: PN16
- ◆ Working Temperature: -10 ~ 120°C
- ◆ Conform to EN12334(BS5153)



### Bill of Materials

Description	Material	Spec	Size
Body	Cast Iron	EN-JL 1040	All
Cover	Cast Iron	EN-JL 1040	All
Disc	Cast Iron	EN-JL 1040	All
Body Seat Ring	Bronze	CC 491K	All
Disc Ring	Bronze	CC 491K	All
Cap Bolts	Steel	BS 3692 Gr.8.8	All
Cap Bolts Nut	Steel	BS 3692 Gr.8.8	All
Gasket	Asbestos Free		All
Body Plate	Aluminum		All

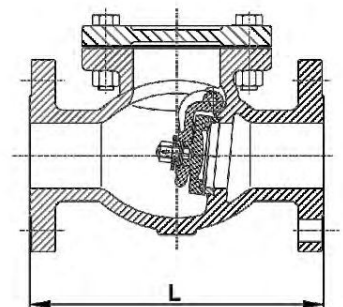
### Dimensions

4201			
DN	SIZE (inch)	A (cm)	B (cm)
50	2"	203	113
65	2½"	216	126
80	3"	241	136
100	4"	292	153
125	5"	330	186
150	6"	356	207
200	7"	495	250
250	8"	622	352
300	9"	698	397



## 4202 SWING TYPE CHECK VALVE

- ◆ Pressure Rating: Class 125
- ◆ Working Temperature: -10 ~ 120°C
- ◆ Conform to MSS SP-71



### Bill of Materials

Description	Material	Spec	Size
Body	Cast Iron	A126 Class B	All
Cover	Cast Iron	A126 Class B	All
Disc	Cast Iron	A126 Class B	All
Body Seat Ring	Bronze	CC 491K	All
Disc Ring	Bronze	CC 491K	All
Cap Bolts	Steel	BS 3692 Gr.8.8	All
Cap Bolts Nut	Steel	BS 3692 Gr.8.8	All
Gasket	Asbestos Free		All
Body Plate	Aluminum		All

### Dimensions

4202			
DN	SIZE (inch)	A (cm)	B (cm)
50	2"	203	113
65	2½"	216	126
80	3"	241	136
100	4"	292	153
125	5"	330	186
150	6"	356	207
200	7"	495	250
250	8"	622	352
300	9"	698	397



## 653 BRONZE STRAINER(THREADED)

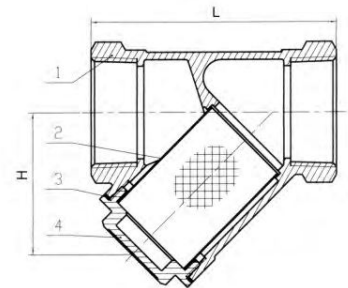
- ◆ Pressure Rating:PN20
- ◆ Working Medium:Water,Oil, Gas
- ◆ Working Temperature: $t \leq 170^{\circ}\text{C}$
- ◆ Taper Pipe Thread To ISO7

### Bill of Materials

Sequence	Description	Material	Sizes
1	Body	Bronze CC491K	All
2	Cap	Bronze CC491K	All
3	Gasket	P.T.F.E	All
4	Screen	Stainless Steel Type304	All

### Dimensions

653				
DN	INCH	CM <sup>2</sup>	L	H
15	½"	120	74.5	40
20	¾"	60	86.5	45
25	1"	28	108	64
32	1¼"	28	122	71
40	1½"	28	135	81
50	2"	16	163	96
65	2½"	16	230	110
80	3"	12	260	142
100	4"	12	330	175



## 654 BRONZE STRAINER(THREADED)

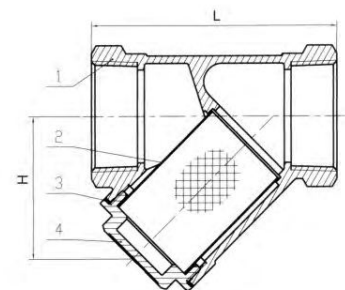
- ◆ Pressure Rating:PN20
- ◆ Working Medium:Water,Oil, Gas
- ◆ Working Temperature: $t \leq 170^{\circ}\text{C}$
- ◆ Taper Pipe Thread To ISO7

### Bill of Materials

Sequence	Description	Material	Sizes
1	Body	Bronze CC491K	All
2	Screen	Stainless Steel Type304	All
3	Gasket	P.T.F.E	All
4	Cap	Bronze CC491K	All

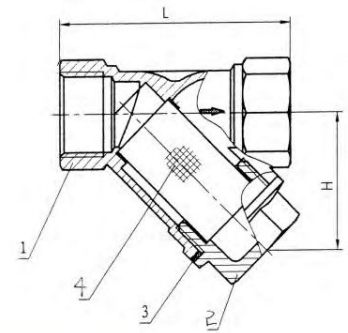
### Dimensions

654				
DN	INCH	CM <sup>2</sup>	L	H
15	½"	60	58	33
20	¾"	60	70	41
25	1"	60	88	49
32	1¼"	28	96	56
40	1½"	28	107	62
50	2"	28	126	80



## 691 BRASS STRAINER(THREADED)

- ◆ Pressure Rating:PN16
- ◆ Working Medium:Water, Oil, Gas
- ◆ Working Temperature: $t \leq 170^{\circ}\text{C}$
- ◆ Pipe Thread To ISO228



### Bill of Materials

Sequence	Description	Material	Sizes
1	Body	Brass CW617N	All
2	Cap	Brass CW617N	All
3	Gasket	P.T.F.E	All
4	Screen	Stainless Steel Type304	All

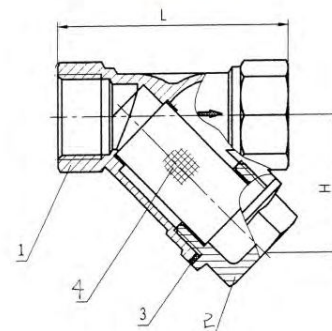
### Dimensions

691				
DN	INCH	CM <sup>2</sup>	L	H
15	½"	120	74	40
20	¾"	60	86.5	45
25	1"	28	108	64
32	1¼"	28	122	71
40	1½"	28	135	81
50	2"	16	163	96
65	2½"	16	230	110
80	3"	12	260	142
100	4"	12	330	175



## 6301 BRASS Y STRAINER

- ◆ Pressure Rating:PN16
- ◆ Working Medium:Water, Oil, Steam
- ◆ Working Temperature: $t \leq 170^{\circ}\text{C}$
- ◆ Pipe Thread to ISO 228



### Bill of Materials

Sequence	Description	Material	Sizes
1	Body	Brass CW614N	All
2	Cap	Brass CW614N	All
3	Gasket	P.T.F.E	All
4	Screen	Stainless Steel Type304	All

### Dimensions

6301				
DN	INCH	CM <sup>2</sup>	L	H
15	½"	120	54	34
20	¾"	60	64	37.5
25	1"	28	73	42.3
32	1¼"	28	90	51.4
40	1½"	28	93.5	53.2
50	2"	16	114	67.9
65	2½"	16	128	87
80	3"	12	145	102
100	4"	12	175	128



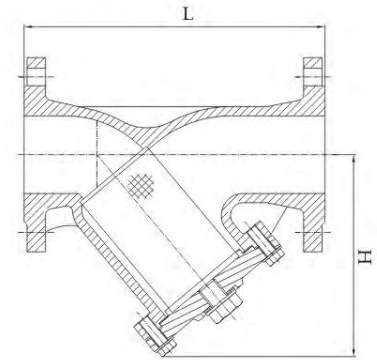


## 6201 Y-TYPE STRAINER

- ◆ Pressure Rating: PN16
- ◆ Flange Dimension Conform to EN1092-2
- ◆ Testing Conform to BS6755

### Bill of Materials

Description	Material	Spec
Body	Cast Iron	EN-JL 1040
	Ductile Iron	EN-JL 1050
Cap	Cast Iron	EN-JL 1040
	Ductile Iron	EN-JL 1050
Screen	Stainless Steel 304	BS907 304S15
Blow-Off Plug	Carbon Steel	



## 6202 Y-TYPE STRAINER

- ◆ Pressure Rating: Class 125
- ◆ Flange Dimension Conform To Ansi B16.1
- ◆ Testing Conform To API 598

### Bill of Materials

Description	Material	Spec
Body	Cast Iron	A 126 Class B
	Ductile Iron	A 536 65-45-12
Cap	Cast Iron	A 126 Class B
	Ductile Iron	A 536 65-45-12
Screen	Stainless Steel 304	S 30400
Blow-Off Plug	Carbon Steel	

### Dimensions

DN	6201 6202	
	L	H
50	223	150
65	273	189
80	292	213
100	352	226
125	416	273
150	470	301
200	543	370
250	660	457
300	762	540
350	980	740
400	1100	850
450	1200	800



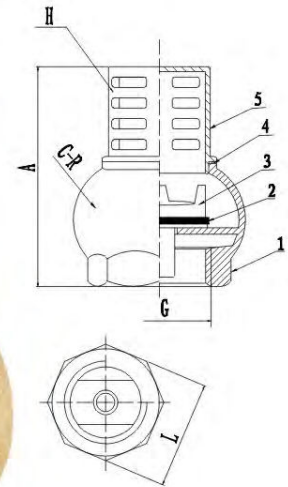
# FOOT VALVE

## 4304 BRASS FOOT VALVE

- ◆ Pressure Rating:PN10
- ◆ Working Medium:Water,Oil,Steam
- ◆ Working Temperature: $t \leq 110^{\circ}\text{C}$
- ◆ Pipe Thread To ISO228

### Bill of Materials

Sequence	Description	Material	Sizes
1	Body	Brass CW617N	All
2	Disc Face	N.B.R	All
3	Disc	Brass CW614N	All
4	Gasket	Fiber	All
5	Cover	Brass CW617N	All



### Dimensions

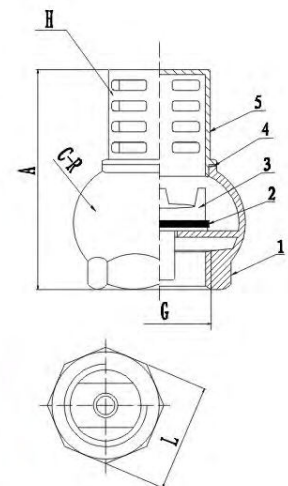
4303						
DN	INCH	A	B	C-R	E	L
15	1/2"	60	24	19.5	24.5	26
20	3/4"	67	26.5	22.25	28	32
25	1"	74	25	24	30.5	38
32	1 1/4"	92	35	29.75	38	47
40	1 1/2"	99	37	34	45	53
50	2"	117	41	40	57.5	65
65	2 1/2"	140	45	45.5	57.5	83
80	3"	149	52	55.5	78	93
100	4"	184	64	70.15	93.5	121

## 4305 BRONZE FOOT VALVE

- ◆ Pressure Rating:PN10
- ◆ Working Medium:Water,Oil,Steam
- ◆ Working Temperature: $t \leq 110^{\circ}\text{C}$
- ◆ Pipe Thread To ISO228

### Bill of Materials

Sequence	Description	Material	Sizes
1	Body	Bronze CC491K	All
2	Disc Face	N.B.R	All
3	Disc	Brass CW614N	All
4	Gasket	Fiber	All
5	Cover	Bronze CC491K	All



### Dimensions

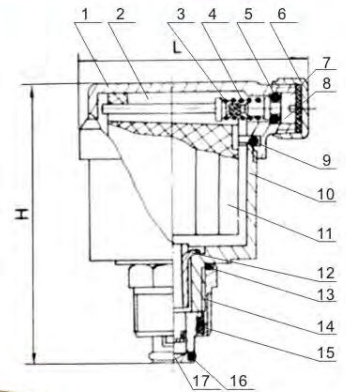
4303						
DN	INCH	A	B	C-R	E	L
15	1/2"	60	24	19.5	24.5	26
20	3/4"	67	26.5	22.25	28	32
25	1"	74	25	24	30.5	38
32	1 1/4"	92	35	29.75	38	47
40	1 1/2"	99	37	34	45	53
50	2"	117	41	40	57.5	65
65	2 1/2"	140	45	45.5	57.5	83
80	3"	149	52	55.5	78	93
100	4"	184	64	70.15	93.5	121

## 801 BRASS AUTO AIR VENT(THREADED)

- ◆ Pressure Rating:PN10
- ◆ Working Medium:Water
- ◆ Working Temperature: $t \leq 70^{\circ}\text{C}$
- ◆ Taper Pipe Thread To ISO7

### Bill of Materials

Sequence	Description	Material	Sizes
1	Cap	Brass CW614N	All
2	Stem	Brass CW614N	All
3	Gasket	NBR	All
4	Spring	Stainless steel	All
5	O Ring	NBR	All
6	Air cap	Brass CW614N	All
7	Gasket	NBR	All
8	Core	Brass CW614N	All
9	O Ring	NBR	All
10	Body	Brass CW614N	All
11	Floater	Polytene	All
12	Floater Bar	Brass CW614N	All
13	O Ring	NBR	All
14	Connector	Brass CW614N	All
15	Spring	Stainless steel	All
16	O Ring	NBR	All
17	Disc	Brass CW614N	All



### Dimensions

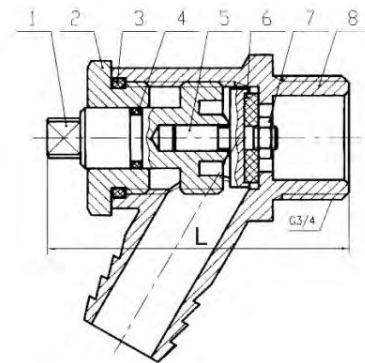
801			
DN	INCH	H	L
15	1/2"	68	50
20	3/4"	68	50
25	1"	68	50

## 506 BRASS DRAINING TAP(THREADED)

- ◆ Pressure Rating:PN16
- ◆ Working Medium: Water
- ◆ Working Temperature:  $\leq 120^{\circ}\text{C}$
- ◆ Taper Pipe Thread To ISO7

### Bill of Materials

Sequence	Description	Material	Sizes
1	Stem	DZR Brass CW602N	All
2	Bonnet	DZR Brass CW602N	All
3	O Ring	NBR	All
4	O Ring	NBR	All
5	Disc	DZR Brass CW602N	All
6	Gasket	NBR	All
7	Nut	Brass	All
8	Body	DZR Brass CW602N	All



### Dimensions

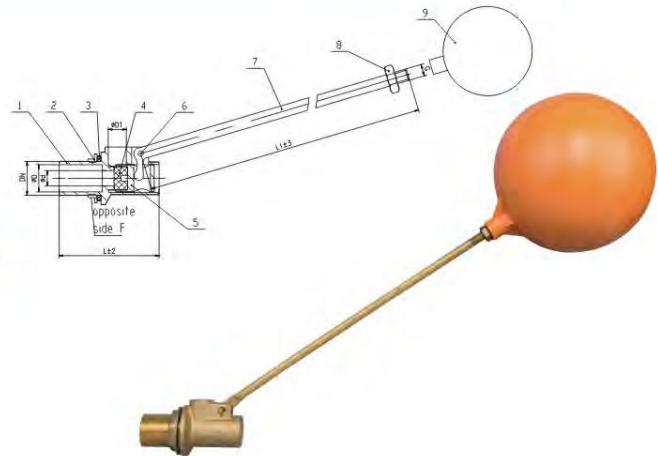
506		
DN	INCH	L
15	1/2"	56
20	3/4"	64
25	1"	89

## 931A BRASS FLOAT VALVE

- ◆ Pressure Rating: PN10
- ◆ Working Medium: Water
- ◆ Working Temperature:  $\leq 90^{\circ}\text{C}$

### Bill of Materials

Sequence	Description	Material	Sizes
1	Ball	Plastic/SS/Copper	All
2	Nut	Brass CW614N	All
3	Gasket	EPDM	All
4	Gasket	EPDM	All
5	The Valvo Core	Brass CW614N	All
6	Hinge Pin	Brass CW614N	All
7	Hinge	Brass CW614N	All
8	Nut	Brass CW614N	All
9	Ball	PP	All



### Dimensions

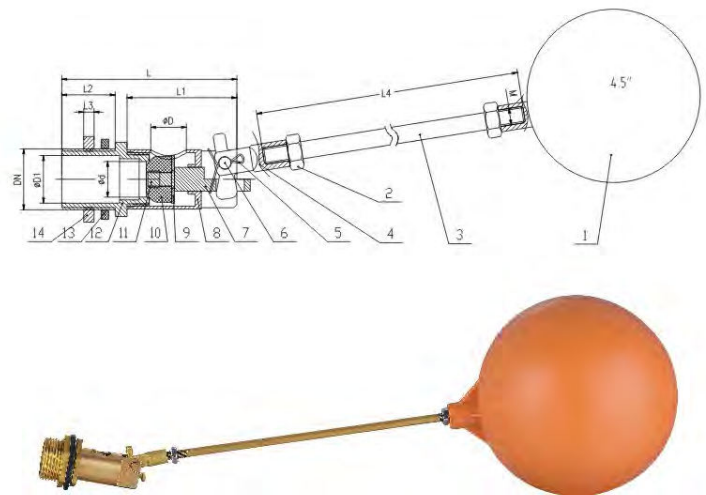
931A											
DN	INCH	L	L1	d	D	D1	F	G	Weight (g)	Ball (IN)	
15	1/2"	78	260	9	15.5	14	24.3	M8	275±5	4.5"	
20	3/4"	78	260	9	20	14	30	M8	304±5	5"	
25	1"	90	360	10	26	18	37.2	M10	574±5	6"	
32	1 1/4"	148	375	22	36.5	33	44	M12	1183±5	8"	
40	1 1/2"	165	458	22	40	33	50	M12	1350±5	10"	
50	2"	170	495	22	51.5	33	62.5	M12	1674±5	10"	
65	2 1/2"	195	625	41	68.5	63	81.7	M14	3325±5	12"	
80	3"	195	625	42	81.5	63	93	M14	3250±5	12"	
100	4"	195	625	42	105.5	64	120	M14	3960±5	12"	

## 931B BRASS FLOAT VALVE

- ◆ Pressure Rating: PN10
- ◆ Working Medium: Water
- ◆ Working Temperature:  $\leq 90^{\circ}\text{C}$

### Bill of Materials

Sequence	Description	Material	Sizes
1	Ball	Plastic/SS/Copper	All
2	Nut	Brass CW614N	All
3	Hinge	Brass CW614N	All
4	Adjusting Lever	Brass CW614N	All
5	Pin	SS304	All
6	Pin	SS304/Brass CW614N	All
7	Piston Core	Brass CW614N	All
8	Body	Brass CW614N	All
9	Gasket	A2-70	All
10	Disc	Silicon Rubber	All
11	Crew	A2-70	All
12	Valve Seat	Brass CW614N	All
13	Gasket	EPDM	All
14	Nut	Brass CW614N	All



### Dimensions

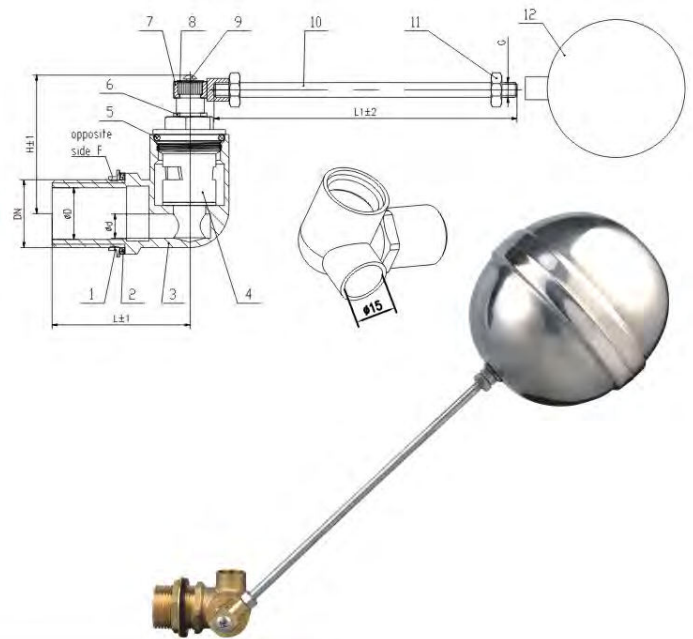
931B											
DN	INCH	L	L1	L2	L3	d	D	D1	L4	M	Ball (IN)
15	1/2"	59	37	18	3.5	12	12	16	230	M8	4.5"
20	3/4"	59	37	19	3.5	12	12	21	230	M8	5"
25	1"	71.5	46	21.5	3.5	14	22	27	230	M8	6"
32	1 1/4"	74	49	24	4	14	21	33.5	600	M12	8"
40	1 1/2"	82	55.5	22	3.5	22	32	41	600	M12	10"
50	2"	85	55.5	24.5	4	22	32	51	600	M12	10"
65	2 1/2"	116.5	81	31	7	30	53	66.5	796	M14	12"
80	3"	119	81	32	7	30	53	78	796	M14	12"
100	4"	142	98	36	6.5	40.5	67	102.5	796	M14	12"

## 932A BRASS FLOAT VALVE

- ◆ Pressure Rating: PN10
- ◆ Working Medium: Water
- ◆ Working Temperature:  $\leq 90^{\circ}\text{C}$

### Bill of Materials

Sequence	Description	Material	Sizes
1	Nut	Brass CW614N	All
2	Gasket	EPDM	All
3	Body	Brass CW614N	All
4	Ceramic Core	Ceramic	All
5	O Ring	EPDM	All
6	Buckle	C12200	All
7	Copper Connection	Brass CW617N	All
8	Gasket	Steel(Nickel Plated)	All
9	Screw	Steel(Nickel Plated)	All
10	Hinge	SS201	All
11	Nut	Steel(Nickel Plated)	All
12	Ball	SS201	All



### Dimensions

932A										
DN	INCH	L	L1	d	D	H	F	G	Weight (g)	Ball (IN)
15	1/2"	43	260	8	16	48	23	M6	168±5	4"
20	3/4"	45	200	8	21.5	48	28	M6	194±5	4.5"

## 332B ANGLE VALVE WITH CERAMIC CORE

- ◆ Pressure Rating: PN10
- ◆ Working Medium: Water
- ◆ Working Temperature:  $\leq 110^{\circ}\text{C}$
- ◆ Pipe Thread To ISO7 or ISO228

### Bill of Materials

Sequence	Description	Material	Sizes
1	Dust Cover	Plastic	All
2	Pin M4	Brass	All
3	Handwheel	Brass CW614N	All
4	Stem	Brass CW614N	All
5	O Ring	NBR	All
6	Ceramic Core	Ceramic	All
7	Valve Core	Brass CW614N	All
8	Body	Brass CW614N	All



# PRESSURE REDUCING VALVE

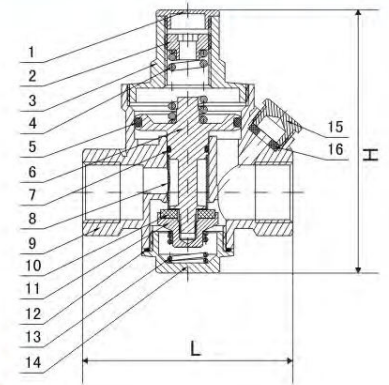


## 719 BRASS PRESSURE REDUCING VALVE

- ◆ Pressure Rating: PN16
- ◆ Working Medium: Water, Gas
- ◆ Working Temperature:  $\leq 70^{\circ}\text{C}$
- ◆ Taper Pipe Thread To ISO228
- ◆ Outlet Pressure: 0.1~0.4 MPa

### Bill of Materials

Sequence	Description	Material	Sizes
1	Tap Lid	Brass CW614N	All
2	Adjusting Nut	Brass CW614N	All
3	Bonnet	Brass CW614N	All
4	Spring	65Mn	All
5	O Ring	NBR	All
6	Core	Brass CW614N	All
7	O Ring	NBR	All
8	Mesh	SS304	All
9	Body	Brass CW614N	All
10	Gasket	NBR	All
11	Nut	Brass CW614N	All
12	O Ring	NBR	All
13	Spring	SS304	All
14	Bonnet	Brass CW614N	All
15	Plug	Brass CW614N	All
16	Gasket	NBR	All



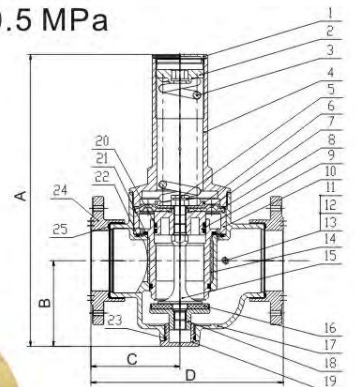
### Dimensions

719			
DN	Inch	L	H
15	1/2"	72	93
20	3/4"	72	93
25	1"	78	110
32	1 1/4"	85	116
40	1 1/2"	100	154
50	2"	110	154

## 705 BRASS FLANGE PRESSURE REDUCING VALVE

- ◆ Pressure Rating: PN16
- ◆ Working Medium: Water, Gas
- ◆ Working Temperature:  $\leq 70^{\circ}\text{C}$
- ◆ Outlet Pressure: 0.1~0.5 MPa

Sequence	Description	Material	Sizes
1	Tap Lid	Brass CW617N	All
2	Adjusting Screw	Brass CW614N	All
3	Adjusting Spring	SS304	All
4	Bonnet	Brass CW617N	All
5	Screw	Q235	All
6	Gasket	SS304	All
7	Diaphragm	EPDM+Fiber	All
8	Gasket	SS304	All
9	Core	Brass CW617N	All
10	Core Seat	Brass CW617N	All
11	Plug	Brass CW614N	All
12	O Ring	NBR	All
13	Gauge	As per required	All
14	Mesh	SS304	All
15	Connection Piece	Brass CW617N	All
16	Gasket	NBR	All
17	Body	Brass CW617N	All
18	Disc	Brass CW617N	All
19	Bottom Lid	Brass CW617N	All
20	O Ring	NBR	All
21	O Ring	NBR	All
22	O Ring	NBR	All
23	O Ring	NBR	All
24	Flange	Brass CW617N	All
25	Gasket	NBR	All

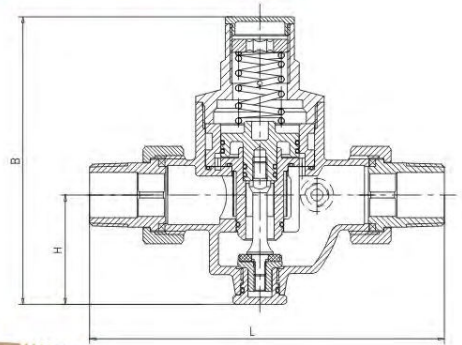


### Dimensions

705					
DN	INCH	A	B	C	D
32	1 1/4"	192	62	78	166
40	1 1/2"	192	62	81	172
50	2"	272	85	96	210
65	2 1/2"	272	85	100	218
80	3"	385	113	124	267
100	4"	385	113	125	284

## 703 BRASS PRESSURE REDUCING VALVE(LOOSE JOINT)

- ◆ Pressure Rating:PN16
- ◆ Working Medium:Water, Gas
- ◆ Working Temperature:t≤70℃
- ◆ Taper Pipe Thread To ISO7
- ◆ Outlet Pressure: 0.1-0.4MPa

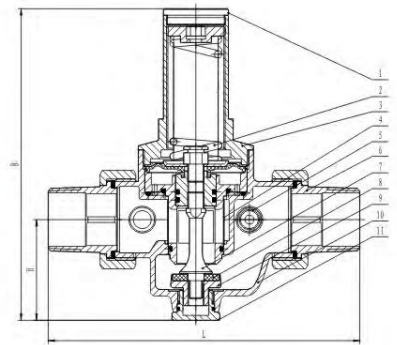


### Dimensions

703					
DN	INCH	L	B	H	CM <sup>2</sup>
15	½"	143	121	46	60
20	¾"	147	121	46	60
25	1"	175	171	53	60

## 704 BRASS PRESSURE REDUCING VALVE(LOOSE JOINT)

- ◆ Pressure Rating:PN16
- ◆ Working Medium:Water, Gas
- ◆ Working Temperature:t≤70℃
- ◆ Taper Pipe Thread To ISO7
- ◆ Outlet Pressure: 0.1-0.5MPa



### Bill of Materials

Sequence	Description	Material	Sizes
1	Tap Lid	Brass CW617N	All
2	Spring	Alloy Steel	All
3	Bonnet	Brass CW617N	All
4	Mesh	SS 304	All
5	Plug	Brass CW617N	All
6	Male Nipple	Brass CW617N	All
7	Stem	Brass CW617N	All
8	Gasket	N.B.R	All
9	Disc	Brass CW617N	All
10	Body	Brass CW617N	All
11	Cap	Brass CW617N	All

### Dimensions

704					
DN	INCH	L	B	H	CM <sup>2</sup>
32	1¼"	202	192	63	60
40	1½"	216	192	63	60
50	2"	252	272	88	28
65	2½"	252	272	85	28
80	3"	310	385	113	16
100	4"	350	385	113	16

# PRESSURE REDUCING VALVE



## 753A BRONZE PRESSURE REDUCING VALVE(FEMALE THREAD)

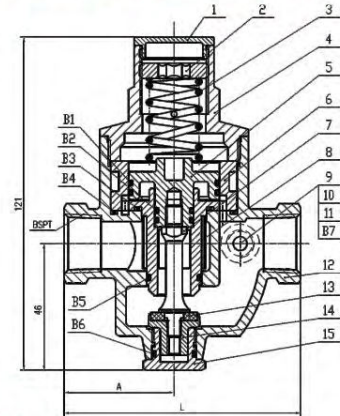
- ◆ Pressure Rating:PN20
- ◆ Working Temperature: $t \leq 70^{\circ}\text{C}$
- ◆ Outlet Pressure: 0.1-0.4MPa
- ◆ Working Medium:Water, Gas
- ◆ Taper Pipe Thread To ISO7

### Bill of Materials

Sequence	Description	Material	Sizes
1	Tap Lid	Brass CW614N	All
2	Adjusting Screw	Brass CW614N	All
3	Spring	65Mn	All
4	Bonnet	Bronze CC491K	All
5	Core	Brass CW617N	All
6	Core Seat	Brass CW617N	All
7	Connection Piece	Brass CW617N	All
8	Mesh	SS304	All
9	Male Plug	Bronze CC491K	All
10	Gauge	As Per Pequired	All
11	Gasket	NBR	All
12	Body	Bronze CC491K	All
13	Gasket	NBR	All
14	Disc	Brass CW617N	All
15	Bottom Lid	Brass CW617N	All
B1-B7	O Ring	NBR	All

### Dimensions

753			
DN	INCH	L	A
15	1/2"	89	41.5
20	3/4"	92	43
25	1"	98	46



## 754A BRONZE PRESSURE REDUCING VALVE(FEMALE THREAD)

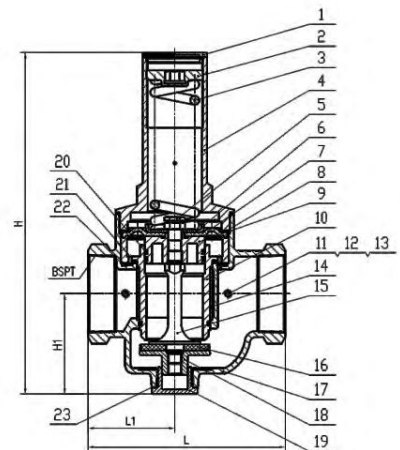
- ◆ Pressure Rating:PN20
- ◆ Working Temperature: $t \leq 70^{\circ}\text{C}$
- ◆ Outlet Pressure: 0.1-0.5MPa
- ◆ Working Medium:Water, Gas
- ◆ Taper Pipe Thread To ISO7

### Bill of Materials

Sequence	Description	Material	Sizes
1	Tap Lid	Brass CW614N	All
2	Adjusting Screw	Brass CW614N	All
3	Spring	65Mn	All
4	Bonnet	Bronze CC491K	All
5	Forcing Screw	Bronze CC491K	All
6	Pressplate	Stainless Steel	All
7	Diaphragm	EPDM+Fiber	All
8	Gasket	SS304	All
9	Core	Brass CW617N	All
10	Core Seat	Brass CW617N	All
11	Male Plug	Bronze CC491K	All
12	O Ring	NBR	All
13	Gauge	As Per Pequired	All
14	Mesh	SS304	All
15	Connection Piece	Brass CW617N	All
16	Gasket	NBR	All
17	Body	Bronze CC491K	All
18	Disc	Brass CW617N	All
19	Bottom Lid	Brass CW617N	All
20-23	O Ring	NBR	All

### Dimensions

754					
DN	INCH	L	L1	H	H1
32	1 1/4"	126	55.5	192	62
40	1 1/2"	126	55.5	192	62
50	2"	168	72	272	85
65	2 1/2"	174	75.5	272	85
80	3"	225	98.5	385	113
100	4"	230	104.5	385	113





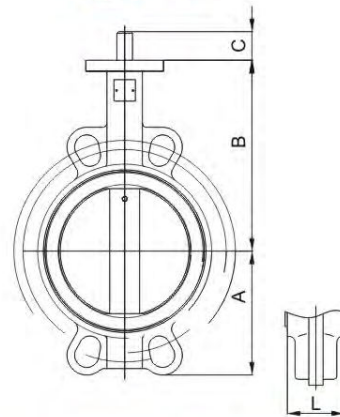
# BUTTERFLY VALVE

## 7201 WAFER TYPE BUTTERFLY VALVES

- ◆ Pressure Rating: PN16
- ◆ Working Medium: Water, Oil, Gas
- ◆ Working Temperature: -20~110°C (EPDM Seat)  
-10~80°C (NBR Seat)
- ◆ Comply with ISO5752/BS5155/BSEN593/  
MSS SP-67/API 609

### Valve Standard :

Comply with ISO 5752/BS 5155/  
BS EN 593/MSS SP-67/API 609



### Bill of Material

Description	Material	ASTM
Body	Cast Iron	A126 Class B
	Ductile Iron	A536 Gr. 65-45-12
Disc	Ductile Iron	A536 Gr. 65-45-12
	Bronze	B148 C95400
	Stainless Steel 304	A351 CF-8
Shaft	Stainless steel 316	A351 CF-8M
	Stainless Steel 410	A276 S 410 00
Seat	Stainless Steel 431	A276 S 431 00
Seat	EPDM / NBR/VITON	
O-Ring	EPDM / NBR	
	PTFE	
Bushing	PTFE	
	Bronze	B62 C83600

### Dimensions

DN	mm	40	50	65	80	100	125	150	200	250
	inch	1-1/2	2	2-1/2	3	4	5	6	8	10
A		68	80	89	95	114	127	139	175	203
B		110	161	175	181	200	213	226	260	292
C		24	30	30	30	30	30	30	34	34
L		33	42	45	45	51	55	55	60	67

DN	mm	300	350	400	450	500	550	600	650	700
	inch	12	14	16	18	20	22	24	26	28
A		242	267	316	334	370	433	468	484	530
B		337	368	400	422	480	533	562	540	626
C		34	40	52	52	64	70	70	70	95
L		76	76	102	114	127	151	151	172	165

DN	mm	750	800	900	1000	1200
	inch	30	32	36	40	48
A		554	605	668	728	855
B		660	666	720	806	938
C		95	95	130	130	150
L		167	188	203	216	276

## 7202 LUG TYPE BUTTERFLY VALVES

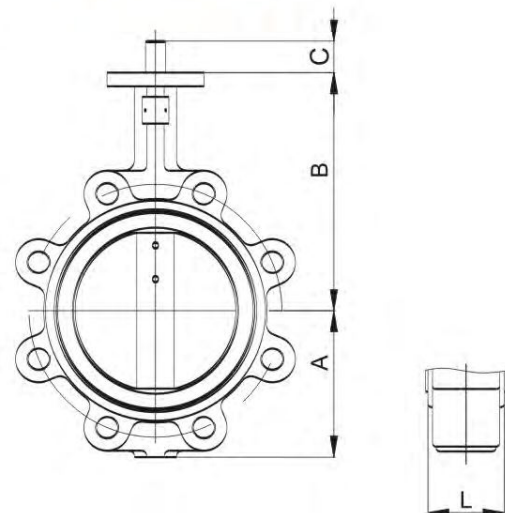
- ◆ Pressure Rating: PN16
- ◆ Working Medium: Water, Oil, Gas
- ◆ Working Temperature: -20~110°C (EPDM Seat)  
-10~80°C (NBR Seat)
- ◆ Comply with ISO5752/BS5155/BSEN593/  
MSS SP-67/API 609

### Valve Standard :

Comply with ISO 5752/BS 5155/  
BS EN 593/MSS SP-67/API 609

### Bill of Material

Description	Material	ASTM
Body	Cast Iron	A126 Class B
	Ductile Iron	A536 Gr. 65-45-12
Disc	Ductile Iron	A536 Gr. 65-45-12
	Bronze	B148 C95400
	Stainless Steel 304	A351 CF-8
	Stainless steel 316	A351 CF-8M
Shaft	Stainless Steel 410	A276 S 410 00
	Stainless Steel 431	A276 S 431 00
Seat	EPDM / NBR	
O-Ring	NBR	
Bushing	Bronze	B62 C83600



### Dimensions

DN	mm	40	50	65	80	100	125	150	200	250
	inch	1-1/2	2	2-1/2	3	4	5	6	8	10
A		68	80	89	95	114	127	139	175	203
B		110	161	175	181	200	213	226	260	292
C		24	30	30	30	30	30	30	34	34
L		33	42	45	45	51	55	55	60	67

DN	mm	300	350	400	450	500	550	600	650	700
	inch	12	14	16	18	20	22	24	26	28
A		242	267	316	334	370	433	468	484	530
B		337	368	400	422	480	533	562	540	626
C		34	40	52	52	64	70	70	70	95
L		76	76	102	114	127	151	151	172	165

# BUTTERFLY VALVE

## 7203 U-TYPE BUTTERFLY VALVES

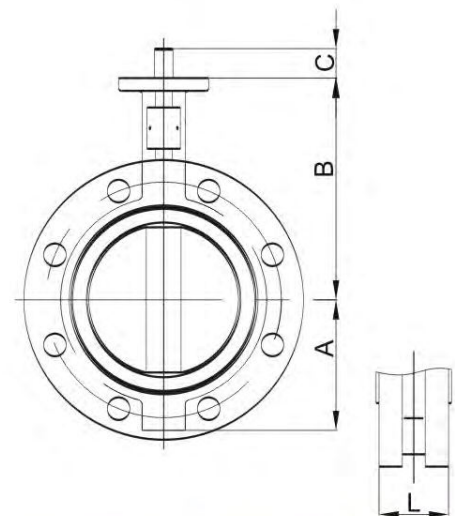
- ◆ Pressure Rating: PN16
- ◆ Working Medium: Water, Oil, Gas
- ◆ Working Temperature: -20~110°C (EPDM Seat)  
-10~80°C (NBR Seat)
- ◆ Comply with ISO5752/BS5155/BSEN593/  
MSS SP-67/API 609

### Valve Standard :

Comply with ISO 5752/BS 5155/  
BS EN 593/MSS SP-67/API 609

### Bill of Material

Description	Material	EN Spec.
Body	Ductile Iron	EN-JS 1050
Disc	Ductile Iron	EN-JS 1050
	Bronze	EN 1982 CC491K
	Stainless Steel 304	BS970 304
	Stainless steel 316	BS970 316
Shaft	Stainless Steel 410	BS970 410
	Stainless Steel 431	BS970 431
Seat Ring	EPDM / NBR	
O-Ring	EPDM / NBR	
Bushing	Bronze	EN 1982 CC491K



### Dimensions

DN	mm	150	200	225	250	300	350	375	400	450	500	550
	inch	6	8	9	10	12	14	15	16	18	20	22
A		133	175	190	201	242	267	320	316	344	380	432
B		226	260	275	292	337	368	375	400	422	480	533
C		30	34	34	34	34	40	52	52	52	64	70
L		55	60	67	67	76	76	102	102	114	127	151

DN	mm	600	650	700	750	800	900	1000	1050	1100	1200	-
	inch	24	26	28	30	32	36	40	42	44	48	-
A		468	484	530	564	602	661	724	784	804	869	-
B		562	540	626	660	666	722	806	865	820	938	-
C		70	70	95	95	95	130	130	150	150	150	-
L		151	172	165	167	188	203	216	251	252.5	276	-

# BUTTERFLY VALVE

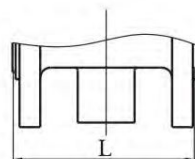
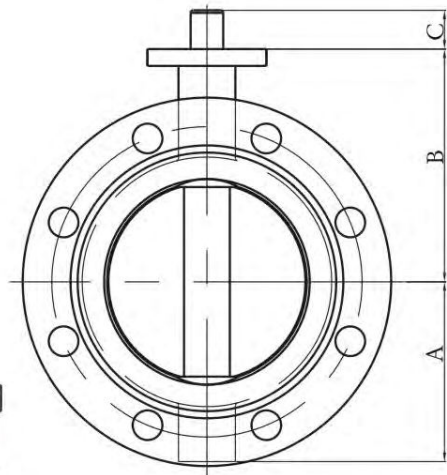
## 7204 DOUBLE FLANGED BUTTERFLY VALVES

- ◆ Working Pressure: 150psi
- ◆ Working Medium: Water, Oil, Gas
- ◆ Working Temperature: -4°F to 230°F (EPDM Seat)  
14°F to 176°F (NBR Seat)
- ◆ Comply with AWWA C504



### Bill of Material

Description	Material	EN Spec.
Body	Ductile Iron	A536 Gr. 65-45-12
Disc	Ductile Iron	A536 Gr. 65-45-12
	Bronze	B148 C95400
	Stainless Steel 304	A351 CF-8
	Stainless steel 316	A351 CF-8M
Shaft	Stainless Steel 410	A276 S 410
	Stainless Steel 431	A276 S 431
Seat Ring	EPDM / NBR	
O-Ring	EPDM / NBR	
Bushing	Bronze	B62 C83600



### Dimensions

DN	mm	50	65	80	100	125	150	200	250	300	350	400	450
	inch	2	2½	3	4	5	6	8	10	12	14	16	18
A		70	75	85	104	112	130	160	194	220	270	305	332
B		130	140	150	160	180	200	230	260	300	360	390	420
C		32	32	32	32	32	32	38	38	38	45	51	51
L		108	112	114	127	140	140	152	165	178	190	216	222

DN	mm	500	600	700	750	900	1000	1050	1100	1200
	inch	20	24	28	30	36	40	42	46	48
A		362	415	515	545	605	685	730	730	790
B		470	540	565	612	680	760	820	820	880
C		64	70	72	72	77	85	85	85	150
L		229	267	292	318	330	410	410	450	470

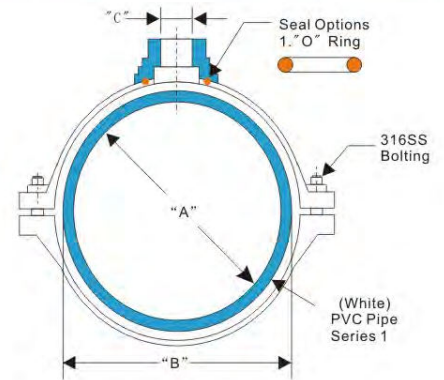
# T192 - Tapping Bands Series 1 PVC, Series 2 PVC, .mDPE



- \*Product Standard: AS/NZS 4793
- \*Pressure Rating: PN16
- \*Tapping Thread to BSP

### Bill of Materials

Seq	Description	Material	Sizes
1	Body	BS1400 Lg2	All
2	M12 Hex Nut	SS316(Moly Bond)	All
3	M12 Hex Screw Bolt	SS316	All
4	Rubber O Ring	Nitrile Rubber	All



### Specifications:

#### Applications:

Mechanical tapping bands provides a means for the connection of service pipes from a pipeline suitable for the following products:

- \*AS/NZS 1477 Series 1 White Upvc Pipe
- \*AS/NZS 4441 Series 1 White Opvc Pipe
- \*AS/NZS 4765 Series 2 Blue Mpvc Pipe
- \*AS/NZS 2280 DI Pipe(Insulation may be required for Bi-Metallic contact)
- \*AS/NZS 4765 Series 1 White Mpvc Pipe
- \*AS/NZS 1477 Series 2 Blue Upvc Pipe
- \*AS/NZS 4441 Series 2 Blue Opvc Pipe
- \*AS4139 Asbestos Cement Pipe

Product Code	Description	Typical dimensions			
		Nominal Dia. (mm)"A"	Pipe OD(mm) "B"	Tapping Size BSP(mm)"C"	Tapping Size BSP(mm)"A"
T192M 63X20	63X20 T/BAND G/METAL .mDPE	50	63	20	3/4"
T192M 63X25	63X25 T/BAND G/METAL .mDPE	50	63	25	1"
T192S 50X20	50X20 T/BAND G/METAL S1 PVC	50	60	20	3/4"
T192S 50X25	50X25 T/BAND G/METAL S1 PVC	50	60	25	1"
T192S 80X20	80X20 T/BAND G/METAL S1 PVC	80	89	20	3/4"
T192S 80X25	80X25 T/BAND G/METAL S1 PVC	80	89	25	1"
T192S 80X50	80X50 T/BAND G/METAL S1 PVC	80	89	50	2"
T192S 100X20	100X20 T/BAND G/METAL S1 PVC	100	114	20	3/4"
T192S 100X25	100X25 T/BAND G/METAL S1 PVC	100	114	25	1"
T192S 100X50	100X50 T/BAND G/METAL S1 PVC	100	114	50	2"
T192S 150X20	150X20 T/BAND G/METAL S1 PVC	150	160	20	3/4"
T192S 150X25	150X25 T/BAND G/METAL S1 PVC	150	160	25	1"
T192S 150X50	150X50 T/BAND G/METAL S1 PVC	150	160	50	2"
T192S 200X20	200X20 T/BAND G/METAL S1 PVC	200	225	20	3/4"
T192S 200X25	200X25 T/BAND G/METAL S1 PVC	200	225	25	1"
T192S 200X50	200X50 T/BAND G/METAL S1 PVC	200	225	50	2"
T192S 250X20	250X20 T/BAND G/METAL S1 PVC	250	280	20	3/4"
T192S 250X25	250X25 T/BAND G/METAL S1 PVC	250	280	25	1"
T192S 250X50	250X50 T/BAND G/METAL S1 PVC	250	280	50	2"
T192S 300X20	300X20 T/BAND G/METAL S1 PVC	300	315	20	3/4"
T192S 300X25	300X25 T/BAND G/METAL S1 PVC	300	315	25	1"
T192S 300X50	300X50 T/BAND G/METAL S1 PVC	300	315	50	2"
T192S 375X20	375X20 T/BAND G/METAL S1 PVC	375	400	20	3/4"
T192S 375X50	375X50 T/BAND G/METAL S1 PVC	375	400	50	2"
T192A 100X20	100X20 T/BAND G/METAL S2 PVC	100	122	20	3/4"
T192A 100X25	100X25 T/BAND G/METAL S2 PVC	100	122	25	1"
T192A 100X50	100X50 T/BAND G/METAL S2 PVC	100	122	50	2"
T192A 150X20	150X20 T/BAND G/METAL S2 PVC	150	177	20	3/4"
T192A 150X25	150X25 T/BAND G/METAL S2 PVC	150	177	25	1"
T192A 150X50	150X50 T/BAND G/METAL S2 PVC	150	177	50	2"
T192A 200X20	200X20 T/BAND G/METAL S2 PVC	200	232	20	3/4"
T192A 200X25	200X25 T/BAND G/METAL S2 PVC	200	232	25	1"
T192A 200X50	200X50 T/BAND G/METAL S2 PVC	200	232	50	2"
T192A 250X20	250X20 T/BAND G/METAL S2 PVC	250	286	20	3/4"
T192A 250X25	250X25 T/BAND G/METAL S2 PVC	250	286	25	1"
T192A 250X50	250X50 T/BAND G/METAL S2 PVC	250	286	50	2"
T192A 300X20	300X20 T/BAND G/METAL S2 PVC	300	345	20	3/4"
T192A 300X50	300X50 T/BAND G/METAL S2 PVC	300	345	50	2"
T192A 375X50	375X50 T/BAND G/METAL S2 PVC	375	426	50	2"
T192A 450X50	450X50 T/BAND G/METAL S2 PVC	450	507	50	2"

# VALVE SERIES



204

DN15 DN20



971 BRONZE TEST & DRAIN VALVE

DN50



108 BRASS GATE VALVE WITH LOCK (THREADED)

DN15 DN20 DN25



931 BRASS FLOAT VALVE (THREADED)

DN15 DN20



932 BRASS FLOAT VALVE (THREADED)

DN20 DN25



934 BRONZE FLOAT VALVE (THREADED)

DN15 DN20 DN25 DN32



333A BRASS ANGLE GLOBE VALVE (FEMALE & MALE THREADED)

DN15 DN20



333B BRASS ANGLE GLOBE VALVE (FEMALE & MALE THREADED)

DN15 DN20



109 BRASS GATE VALVE (COMPRESSION)

DN15 DN20 DN25



131 BRASS GATE VALVE (FEMALE & MALE THREADED)

DN15 DN20



504 BRASS BIBCOCK

1/2" 3/4"



504A BRASS BIBCOCK WITH HOSE UNION

1/2" 3/4"



322 BRASS STOPCOCK  
(COMPRESSION)

DN15 DN20



323

DN15



324

DN15



325

DN15



326

DN15



327

DN20



233B BRASS BALL VALVE  
(FEMALE & MALE THREADED)

DN15



8300

DN8 DN10 DN15 DN20



8301

DN8 DN10 DN15 DN20



8302

DN15 DN20



8303

DN15 DN20



8304

DN15 DN20



332 BRASS RIGHT ANGLE  
GLOBE VALVE(CERAMIC CORE)

DN15



216AG BRASS RIGHT ANGLE  
GLOBE VALVE(THREADED)

DN20



216B BRASS PRESSED  
BALL VALVE

DN15



216TMF BRASS BALL VALVE  
(MALE/FEMALE)

DN15 DN20



216T BRASS BALL VALVE  
(FEMALE/FEMALE)

DN15 DN20



233A BRASS BALL VALVE  
(FEMALE & MALE THREADED)

DN15



531A BRASS BALL CORE TAP

DN15



231T BRASS BALL VALVE  
(FEMALE & MALE THREADED)

DN15 DN20



232T BRASS BALL VALVE  
(MALE THREADED)

DN15 DN20



531B BRASS BALL CORE TAP

DN15



234A BRASS THREE-WAY BALL  
VALVE(FEMALE & MALE THREADED)

DN15



208 BRASS RIGHT ANGLE  
BALL VALVE(THREADED)

DN15



# BRASS PIPE FITTING



- Pressure Rating: PN16
- Working Temperature:  $t \leq 170^{\circ}\text{C}$
- Working Medium: Water, Oil, Steam
- Material: Brass CW617N



T-101 FEMALE COUPLING

1/2" 3/4" 1"  
1 1/4" 1 1/2" 2"  
2 1/2" 3" 4"



T-102 MALE NIPPLE

1/2" 3/4" 1"  
1 1/4" 1 1/2" 2"  
2 1/2" 3" 4"



T-103 90° FEMALE ELBOW

1/2" 3/4" 1"  
1 1/4" 1 1/2" 2"  
2 1/2" 3" 4"



T-104 45° FEMALE ELBOW

1/2" 3/4" 1"  
1 1/4" 1 1/2" 2"  
2 1/2" 3" 4"



T-105 EQUAL TEE

1/2" 3/4" 1"  
1 1/4" 1 1/2" 2"  
2 1/2" 3" 4"



T-121 BUSHING

1/2"X 3/4"X 1"X  
1 1/4"X 1 1/2"X 2"X  
2 1/2"X 3"X 4"X



T-110 REDUCING NIPPLE

1/2"X 3/4"X 1"X  
1 1/4"X 1 1/2"X 2"X  
2 1/2"X 3"X 4"X



T-111 FEMALE UNION

1/2" 3/4" 1"  
1 1/4" 1 1/2" 2"  
2 1/2" 3" 4"



T-112 MALE UNION CONNECTOR

1/2"X15 3/4"X22 1"X28  
1 1/4"X35 1 1/2"X42 2"X54  
2 1/2"X67 3" X76 4"X108



T-122 FEMALE & MALE UNION

1/2" 3/4" 1"  
1 1/4" 1 1/2" 2"  
2 1/2" 3" 4"



T-115 FEMALE CONNECTOR

1/2"X15 3/4"X22 1"X28  
1 1/4"X35 1 1/2"X42 2"X54



T-116 MALE CONNECTOR

1/2"X15 3/4"X22 1"X28  
1 1/4"X35 1 1/2"X42 2"X54



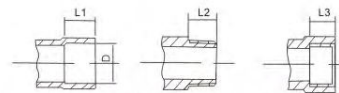
T-117 90° FEMALE ELBOW

1/2"X15 3/4"X22 1"X28  
1 1/4"X35 1 1/2"X42 2"X54



T-119 90° MALE ELBOW

1/2"X15 3/4"X22 1"X28  
1 1/4"X35 1 1/2"X42 2"X54



DIMENSIONS OF BRASS WELDABLE AND THREADED COUPLING

DN	IN	DW	D			L2	L3
			MAX	MIN	L1		
15	1/2"	21.5	15.20	15.10	11	13	12
20	3/4"	27	22.20	22.10	12	15	14
25	1"	34	28.25	28.15	14	17	16
32	1 1/4"	42	35.25	35.15	16	19	18
40	1 1/2"	48	42.35	42.20	17	20	18
50	2"	60	54.35	54.20	19	21	19
65	2 1/2"	76	67.40	67.20	21	23	21
80	3"	89	76.40	76.20	22	25	23
100	4"	114	108.45	108.25	24	27	25

# BRASS PIPE FITTING



**C-101 COMPRESSION STRIGHT COUPLING**

15	22
28	35



**C-102 COMPRESSION REDUCING COUPLING**

22X15	28X15	28X22
35X15	35X22	35X28



**C-103 90° COMPRESSION ELBOW**

15	22
28	35



**C-104 COMPRESSION EQUAL TEE**

15	22
28	35



**C-105 90° FEMALE COMPRESSION ELBOW**

1/2"X15	3/4"X22
1" X28	1 1/4"X35



**C-106 90° MALE COMPRESSION ELBOW**

1/2"X15	3/4"X22
1" X28	1 1/4"X35



**C-107 FEMALE COMPRESSION COUPLING**

1/2"X15	3/4"X22
1" X28	1 1/4"X35



**C-108 MALE COMPRESSION NIPPLE**

1/2"X15	3/4"X22
1" X28	1 1/4"X35



**C-109 COMPRESSION REDUCING TEE**

22X15	28X15	28X22
35X15	35X22	35X28



**C-110 90° COMPRESSION REDUCING ELBOW**

22X15	28X15	28X22
35X15	35X22	35X28



**M-104 STEEL CLIP**

15	20	25	32
40	50	65	80
100	125	150	



**M-103 STEEL CLIP**

15	20	25	32
40	50	65	80
100	125	150	200



**M-106 STEEL WALL CLIP**

15	20	25	32
40	50	65	80
100	125	150	200

# BRONZE PIPE FITTING



MATERIAL: BRONZE C83600/C84400



T-177 MALE NIPPLE

1/2" 3/4" 1"  
1 1/4" 1 1/2" 2"



T-157 MALE CONNECTOR

1/2"X15 3/4"X22 1"X28  
1 1/4"X35 1 1/2"X42 2"X54



T-158 FEMALE CONNECTOR

1/2"X15 3/4"X22 1"X28  
1 1/4"X35 1 1/2"X42 2"X54



T-171 90° FEMALE ELBOW

1/2" 3/4" 1"  
1 1/4" 1 1/2" 2"



T-152 90° MALE ELBOW

1/2"X15 3/4"X22 1"X28  
1 1/4"X35 1 1/2"X42 2"X54



T-151 90° FEMALE ELBOW

1/2"X15 3/4"X22 1"X28  
1 1/4"X35 1 1/2"X42 2"X54



T-153 FEMALE TEE

1/2"X15 3/4"X22 1"X28  
1 1/4"X35 1 1/2"X42 2"X54



T-204 90° FEMALE ELBOW WITH BRACKET

1/2"X15 3/4"X22 1"X28



T-221 FEMALE CONNECTOR WITH BRACKET

1/2"X15 3/4"X22 1"X28



T-154 UNION

15 22 28  
35 42 54



T-155 MALE UNION CONNECTOR

1/2"X15 3/4"X22 1"X28  
1 1/4"X35 1 1/2"X42 2"X54



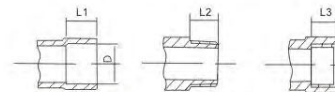
T-160 FEMALE UNION

1/2" 3/4" 1"  
1 1/4" 1 1/2" 2"



981 BRONZE SELF TAPPING FERRULE

DN20



DIMENSIONS OF BRONZE WELDABLE AND THREADED COUPLING

DN	IN	DW	D			L2	L3
			MAX	MIN	L1		
15	1/2"	21.5	15.20	15.10	11	13	12
20	3/4"	27	22.20	22.10	12	15	14
25	1"	34	28.25	28.15	14	17	16
32	1 1/4"	42	35.25	35.15	16	19	18
40	1 1/2"	48	42.35	42.20	17	20	18
50	2"	60	54.35	54.20	19	21	19
65	2 1/2"	76	67.40	67.20	21	23	21
80	3"	89	76.40	76.20	22	25	23
100	4"	114	108.45	108.25	24	27	25

# FLANGED PIPE FITTINGS



**F-105 COMPANION FLANGE**

15	22	28
35	42	54
67	76	108
133	159	219



**F-106 COMPANION FLANGE**

15	20	25
32	40	50
65	80	100
125	150	200



**F-107 COMPANION FLANGE**

15	20	25
32	40	50
65	80	100
125	150	200



**F-108 SOLDED FLANGE**

15	22	28
35	42	54
67	76	108
133	159	219



**F-109 MALE FLANGE**

15	20	25
32	40	50
65	80	100
125	150	200



**F-110 FEMALE FLANGE**

15	20	25
32	40	50
65	80	100
125	150	200



**F159 MALE FLANGE**

15	20	25
32	40	50
65	80	100
125	150	200



**F-150C FEMALE FLANGE**

15	20	25
32	40	50
65	80	100
125	150	200



**F-155C FEMALE FLANGE**

15	20	25
32	40	50
65	80	100
125	150	200



**F-160 BRONZE FLANGE**

15	20	25
32	40	50
65	80	100
125	150	200



**F112A STAINLESS STEEL WEAVE HOSE (FLANGED)**

15	20	25
32	40	50
65	80	100
125	150	200



**F111A STAINLESS STEEL EXPANSIVE AND SHRUNK JOINT (FLANGED)**

15	20	25
32	40	50
65	80	100
125	150	200

## FLEXIBLE HOSE



**T-129 STAINLESS STEEL RIPPING ADAPTER**

1/2"X200-400	1 1/4"X200-400
3/4"X200-400	1 1/2"X200-400
1"X200-400	2"X200-400



**T-127 STAINLESS STEEL RIPPING ADAPTER**

1/2"X200-400	1 1/4"X200-400
3/4"X200-400	1 1/2"X200-400
1"X200-400	2"X200-400



**T-128 STAINLESS STEEL RIPPING PIPE**

1/2"X200-500
--------------



**T-133 FLEXIBLE BRADIDED HOSE**

1/2"X200-600
--------------

## COPPER FITTING END FEED



Z-101 COUPLING

6	8	10	12	15	22
28	35	42	54	67	76
108	133	159	219		



Z-102 REDUCING COUPLING

6X	8X	10X	12X	15X	22X
28X	35X	42X	54X	67X	76X
108X	133X	159X	219X		



Z-103 90° ELBOW

6	8	10	12	15	22
28	35	42	54	67	76
108	133	159	219		



Z-104 45° ELBOW

6	8	10	12	15	22
28	35	42	54	67	76
108	133	159	219		



Z-105 EQUAL TEE

6	8	10	12	15	22
28	35	42	54	67	76
108	133	159	219		



Z-106 REDUCING TEE

6X	8X	10X	12X	15X	22X
28X	35X	42X	54X	67X	76X
108X	133X	159			



Z-103A 90° LONG RADIUS ELBOW

6	8	10	12	15
22	28	35	42	54



Z-113 90° STREET ELBOW

12	15	22
28	35	42
54		



Z-110 CROSS

6	8	10	12	15	22
28	35	42	54	67	76
108					



Z-125 180° ELBOW

15	22	28
----	----	----



Z-126 CROSSOVER

15	18	22
----	----	----



Z-126D PART CROSSOVER

15	18	22
----	----	----



Z-123 CAP

6	8	10	12	15	22
28	35	42	54	67	76
108					



Z-145MB P-TRAP

5/8"	3/4"	1 1/8"
7/8"	1 1/8"	



Z-144 STRAIGHT TAP CONNECTOR

15X 1/2"	22X 3/4"
----------	----------



Z-143 BENT TAP CONNECTOR

15X 1/2"	22X 3/4"
----------	----------

## COPPER FITTING SOLDER RING (WITH TIN RING)



Z-101X COUPLING

15 22 28  
35 42 54



Z-102X REDUCING COUPLING

15X 22X 28X  
35X 42X 54X



Z-103X 90° ELBOW

15 22 28  
35 42 54



Z-106X REDUCING TEE

15X 22X 28X  
35X 42X 54X



Z-109X REDUCER

15 22 28  
35 42 54



Z-104X 45 ELBOW

15 22 28  
35 42 54



Z-126X CROSSOVER

15 22



Z-123X CAP

15 22 28  
35 42 54



Z-142 MALE CONNECTOR

15X 1/2" 22X 3/4" 28X1"  
35X1 1/4" 42X1 1/2" 54X2"  
67X2 1/2" 76X3" 108X4"



Z-141 FEMALE CONNECTOR

15X 1/2" 22X 3/4" 28X1"  
35X1 1/4" 42X1 1/2" 54X2"  
67X2 1/2" 76X3" 108X4"



Z-144X BENT TAP CONNECTOR

15x 1/2" 22x 3/4"



Z-143X STRAIGHT TAP CONNECTOR

15x 1/2" 22x 3/4"



T-154A UNION

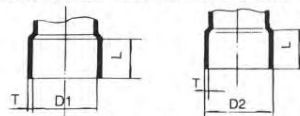
15 22 28 35  
42 54 67 76  
108



T-155A MALE UNION

15X 1/2" 22X 3/4" 28X1"  
35X1 1/4" 42X1 1/2" 54X2"  
67X2 1/2" 76X3" 108X4"

### DIMENSIONS OF RED COPPER COUPLINGS



### BS864-2 STANDARD DIAMETER SERIES

DN	DW	D1		D2		L	T
		MAX	MIN	MAX	MIN		
5	6	6.12	6.06	6.00	5.88	6	0.7
6	8	8.12	8.06	8.00	7.88	7	0.8
8	10	10.12	10.06	10.00	9.88	8	0.8
10	12	12.12	12.06	12.00	11.88	9	1.0
15	15	15.20	15.06	15.00	14.88	10.5	1.2
20	22	22.25	22.08	22.00	21.84	15.5	1.5
25	28	28.25	28.08	28.00	27.84	17	1.5
32	35	35.35	35.10	35.00	34.80	23	1.5
40	42	42.35	42.10	42.00	41.80	27	2.0
50	54	54.45	54.20	54.00	53.76	27	2.0
65	67	67.55	67.25	67.00	66.70	30	2.5
80	76	76.60	76.25	76.00	75.70	32	3.0
100	108	108.80	108.35	108.00	107.60	34	3.0
125	133	134.00	133.50	133.00	132.50	38	3.5
150	159	160.20	159.70	159.00	158.40	42	3.5
200	219	220.60	219.80	219.00	218.20	45	4.5

## COPPER PRESSED FITTINGS



Z-101Y COUPLING

10 12 15 22  
28 35 42 54



Z-102Y REDUCING COUPLING

10X12 12X15 15X22 22X28  
28X35 35X42 42X54



Z-103Y BEND 90°

10 12 15 22  
28 35 42 54



Z-104Y BEND 45°

10 12 15 22  
28 35 42 54



Z-105Y EQUAL TEE

10 12 15 22  
28 35 42 54



Z-106Y REDUCING TEE

12X12X10 15X15X12 22X22X15 28X28X22  
35X35X28 42X42X35 54X54X42



Z-113Y BEND 90°

10X10 12X12 15X15 22X22  
28X28 35X35 42X42 54X54



Z-114Y BEND 45°

10 12 15 22  
28 35 42 54



T-237Y BRASS MALE ELBOW

20x 3/4"



T-235 DZR BRASS MALE UNION

15x1/2" 20x3/4" 25x1"  
32x1 1/4" 40x1 1/2" 50x2"



T-234 DZR BRASS UNION

15x1/2" 20x3/4"



T-231 DZR BRASS MALE ADAPTOR

15x1/2" 20x3/4" 25x1"  
32x1 1/4" 40x1 1/2" 50x2"



T-232 DZR BRASS FEMALE ADAPTOR

15x1/2" 20x3/4" 25x1"  
32x1 1/4" 40x1 1/2" 50x2"



T-236 DZR BRASS PRESS COMPRESSION ADAPTOR

15 20



T-233 BRASS BACK PLATED MALE ELBOW

15



T-237 BRASS BACK PLATED FEMALE ELBOW

15 20



Z-101Y COUPLING

65 80 100



Z-103Y BEND 90°

65 80 100



Z-104Y BEND 45°

65 80 100



Z-105Y EQUAL TEE

65 80 100

## STAINLESS STEEL PRESSED FITTINGS



B-110 FEMALE CONNECTOR

15x	20x	25x
32x	40x	50x
65x		



B-111 MALE CONNECTOR

15x	20x	25x
32x	40x	50x



B-112 FEMALE ELBOW

15x	20x	25x
32x	40x	50x



B-113 MALE ELBOW

15x	20x	25x
32x	40x	50x



B-114 UNION

15	20	25
32	40	50



B-115 MALE CONNECTOR

15x	20x	25x
32x	40x	50x



B-120 MALE TEE

15x	20x	25x
32x	40x	50x



B-121 FEMALE TEE

15x	20x	25x
32x	40x	50x



S-101 COUPLING

15	20	25
32	40	50
65	80	100



S-103 BEND 90°

15	20	25
32	40	50
65	80	100



S-104 BEND 90°

15	20	25
32	40	50
65	80	100



S-105 BEND 45°

15x	20x	25x
-----	-----	-----



S-106 BEND 45°

15	20	25
32	40	50
65	80	100



S-107 FEMALE 90° ELBOW

15x	20x	25x
32x	40x	50x



S-111 MALE 45° ELBOW

15x	20x	25x
-----	-----	-----



S-113 CAP

15	20	25
32	40	50
65	80	100



S-114 MALE ADAPTOR

15x	20x	25x
32x	40x	50x
54x2		



S-116 FEMALE ADAPTOR

15x	20x	25x
32x	40x	50x



S-127 TEE

15	20	25
32	40	50
65	80	100



S-128 FEMALE TEE

20x	25x	32x
40x	50x	



# LEAD FREE BRASS FITTING



MATERIAL: LEAD FREE BRASS C69300/C46500 TO BE WITH LOW-LEAD APPROVAL



Cap	
NO.	O.D.
61-CAP-4	1/4
61-CAP-5	5/16
61-CAP-6	3/8
61-CAP-8	1/2
61-CAP-10	5/8



Union	
NO.	O.D.
62-4	1/4
62-5	5/16
62-6	3/8
62-7	7/16
62-8	1/2
62-10	5/8
62-12	3/4
62-14	7/8



Reducing Union	
NO.	O.D.
62-R-42	1/4x1/8
62-R-43	1/4x3/16
62-R-54	5/16x1/4
62-R-64	3/8x1/4
62-R-65	3/8x5/16
62-R-86	1/2x3/8
62-R-106	5/8x3/8
62-R-108	5/8x1/2



Tee	
NO.	O.D.
64-4	1/4
64-5	5/16
64-6	3/8
64-8	1/2
64-10	5/8
64-12	3/4



Reducing Tee	
NO.	O.D.
64-R-664	3/8x3/8x1/4
64-R-886	1/2x1/2x3/8



Union Elbow	
NO.	O.D.
65-4	1/4
65-5	5/16
65-6	3/8
65-7	7/16
65-8	1/2
65-10	5/8



Female Connector			
NO.	O.D.	NO.	O.D.
66-42	1/4x1/8	66-88	1/2x1/2
66-44	1/4x1/4	66-106	5/8x3/8
66-46	1/4x3/8	66-108	5/8x1/2
66-48	1/4x1/2	66-612	3/8x3/4
66-54	5/12x1/4	66-1012	5/8x3/4
66-62	3/8x1/8	66-1212	3/4x3/4
66-64	3/8x1/4		
66-66	3/8x3/8		
66-68	3/8x1/2		
66-84	1/2x1/4		
66-86	1/2x3/8		



Male Connector			
NO.	O.D.	NO.	O.D.
68-42	1/4x1/8	68-84	1/2x1/4
68-44	1/4x1/4	68-86	1/2x3/8
68-46	1/4x3/8	68-88	1/2x1/2
68-48	1/4x1/2	68-106	5/8x3/8
68-52	5/16x1/4	68-108	5/8x1/2
68-54	5/16x1/4	68-612	3/8x3/4
68-56	5/16x3/8	68-812	1/2x3/4
68-62	3/8x1/8	68-1012	5/8x3/4
68-64	3/8x1/4	68-128	3/4x1/2
68-66	3/8x3/8	68-1212	3/4x3/4
68-68	3/8x1/2		



Male Elbow			
NO.	O.D.	NO.	O.D.
69-42	1/4x1/8	69-84	1/2x1/4
69-44	1/4x1/4	69-86	1/2x3/8
69-46	1/4x3/8	69-88	1/2x1/2
69-48	1/4x1/2	69-812	1/2x3/4
69-52	5/16x1/8	69-106	5/8x3/8
69-54	5/16x1/4	69-108	5/8x1/2
69-56	5/16x3/8	69-1012	5/8x3/4
69-62	3/8x1/8	69-128	5/8x1/2
69-64	3/8x1/4	69-1212	3/4x3/4
69-66	3/8x3/8		
69-68	3/8x1/2		



Female Elbow	
NO.	O.D.
70-42	1/4x1/8
70-44	1/4x1/4
70-52	5/16x1/8
70-62	3/8x1/8
70-64	3/8x1/4
70-66	3/8x3/8
70-68	3/8x1/2
70-88	1/2x1/2
70-108	5/8x1/2



Reducing Coupling	
NO.	O.D.
98-R-42	1/4x1/8
98-R-62	3/8x1/8
98-R-64	3/8x1/4
98-R-84	1/2x1/4
98-R-86	1/2x3/8
98-R-124	3/4x1/4
98-R-128	3/4x1/2



Coupling	
NO.	O.D.
99-9	1/4
99-6	3/8
99-9	1/2
99-12	3/4

# LEAD FREE BRASS FITTING



2-way Male Run Tee	
NO.	O.D.
71-42	1/4x1/8
71-44	1/4x1/4
71-62	3/8x1/8
71-64	3/8x1/4
71-66	3/8x3/8
71-86	1/2x3/8
71-88	1/2x1/2

2-way Male Branch Tee	
NO.	O.D.
72-42	1/4x1/8
72-44	1/4x1/4
72-52	5/16x1/8
72-54	5/16x1/4
72-62	3/8x1/8
72-64	3/8x1/4
72-66	3/8x3/8
72-86	1/2x3/8
72-88	1/2x1/2
72-108	5/8x1/2

Hex Bushing	
NO.	O.D.
100-42	1/4x1/8
100-62	3/8x1/8
100-64	3/8x1/4
100-82	1/2x1/8
100-84	1/2x1/4
100-86	1/2x3/8
100-122	3/4x1/8
100-124	3/4x1/4
100-126	3/4x3/8
100-128	3/4x1/2

Face Bushing	
NO.	O.D.
100-F-86	1/2x1/8
100-F-128	3/4x1/2



Square Head Plug	
NO.	O.D.
101-4	1/4
101-6	3/8
101-8	1/2
101-12	3/4
101-S-4	1/4 Solid
101-S-6	3/8 Solid
101-S-8	1/2 Solid
101-S-12	3/4 Solid

Female x Male Adaptor	
NO.	O.D.
102-42	1/4x1/8
102-44	1/4x1/4
102-62	3/8x1/8
102-64	3/8x1/4
102-66	3/8x3/8
102-68	3/8x1/2
102-84	1/2x1/4
102-86	1/2x3/8
102-88	1/2x1/2
102-128	3/4x1/2
102-1212	3/4x3/4

Hex Head Plug	
NO.	O.D.
103-4	1/4
103-S-4	1/4 Solid
103-6	3/8
103-S-6	3/8 Solid
103-8	1/2
103-S-8	1/2 Solid
103-12	3/4
103-S-12	3/4 Solid

Cap	
NO.	O.D.
104-4	1/4
104-6	3/8
104-8	1/2
104-12	3/4



Nut	
NO.	O.D.
105-2	1/8"
105-4	1/4"
105-6	3/8"
105-8	1/2"

Hex Nipple	
NO.	O.D.
306-4	1/4
306-6	3/8
306-8	1/2
306-12	3/4
306-16	1
306-R-42	1/4x1/8
306-62	3/8x1/8
306-64	3/8x1/4
306-84	1/2x1/4
306-86	1/2x3/8
306-126	3/4x3/8
306-128	3/4x1/2

Double Male Elbow	
NO.	O.D.
310-M-4	1/4
310-M-6	3/8
310-M-8	1/2

Tee	
NO.	O.D.
311-4	1/4
311-6	3/8
311-8	1/2
311-12	3/4
311-64	3/8x3/8x1/4
311-68	3/8x3/8x1/2

# LEAD FREE BRASS FITTING



MATERIAL: LEAD FREE BRASS C69300/C46500 TO BE WITH LOW-LEAD APPROVAL



Elbow	
NO.	O.D.
309-4	1/4
309-6	3/8
309-8	1/2
309-12	3/4



Street Elbow	
NO.	O.D.
310-4	1/4x1/4
310-6	3/8x3/8
310-8	1/2x1/2
310-12	3/4x3/4
310-R-42	1/4x1/8



90° Elbow Bar	
NO.	O.D.
202-90-52	5/16x1/8
202-90-42	1/4x1/8
202-90-44	1/4x1/4
202-90-54	5/16x1/4
202-90-64	3/8x1/4
202-90-66	3/8x3/8
202-90-86	1/2x3/8
202-90-106	5/8x3/8
202-90-108	5/8x1/2
202-90-62	3/8x1/8
202-90-68	3/8x1/2
202-90-84	1/2x1/4
202-90-88	1/2x1/2
202-90-46	1/4x3/8



Splicer	
NO.	O.D.
201-4	1/4"x1/4"
201-5	5/16"x5/16"
201-6	3/8"x3/8"
201-8	1/2"x1/2"
201-10	5/8"x5/8"
201-12	3/4"x3/4"



Splicer	
NO.	O.D.
391404	1/4"H Barb TEE
391405	5/16"H Barb TEE
391406	3/8"H Barb TEE
391408	1/2"H Barb TEE
391412	3/4"H Barb TEE



Female Barb	
NO.	O.D.
204-42	1/4"H Barb x 1/8"
204-44	1/4"H Barb x 1/4" FL
204-46	1/4"x3/8"
204-48	1/4"x1/2"
204-52	5/16"x1/8"
204-54	5/16"x1/4"
204-56	5/16"x3/8"
204-62	3/8"x1/8"
204-64	3/8"x1/4"
204-66	3/8"x3/8"
204-68	3/8"x1/2"
204-84	1/2"x1/4"
204-86	1/2"x3/8"
204-88	1/2"x1/2"
204-1212	3/4"x3/4"



Female Barb	
NO.	O.D.
391644	1/4" Swivel Hose Barb x 1/4" FIP
391654	5/16" Swivel Hose Barb x 1/4" FIP
391664	3/8" Swivel Hose Barb x 1/4" FIP
391666	3/8" Swivel Hose Barb x 3/8" FIP
391688	1/2" Swivel Hose Barb x 1/2" FIP



Female Barb	
NO.	O.D.
391744	1/4" Swivel Hose Barb x 1/4" Female Flare
391746	1/4" Swivel Hose Barb x 3/8" Female Flare
391766	3/8" Swivel Hose Barb x 3/8" Female Flare



Male Barb			
NO.	O.D.	NO.	O.D.
202-42	1/4"x1/8"	202-88	1/2"x1/2"
202-44	1/4"x1/4"	202-812	1/2"x3/4"
202-46	1/4"x3/8"	202-106	5/8"x3/8"
202-48	1/4"x1/2"	202-108	5/8"x1/2"
202-52	5/16"x1/8"	202-1012	5/8"x3/4"
202-54	5/16"x1/4"	202-128	3/4"x1/2"
202-56	5/16"x3/8"	202-1212	3/4"x3/4"
202-58	5/16"x1/2"	202-126	3/4"x3/8"
202-62	3/8"x1/8"	202-1216	3/4"x1"
202-64	3/8"x1/4"		
202-66	3/8"x3/8"		
202-68	3/8"x1/2"		
202-612	3/8"x3/4"		
202-84	1/2"x1/4"		
202-86	1/2"x3/8"		



Male Barb	
NO.	O.D.
YX4543838	3/8"x3/8" PEX SSC Brass Copling
YX4545050	1/2"x1/2" PEX SSC Brass Copling
YX4545858	5/8"x5/8" PEX SSC Brass Copling
YX4547575	3/4"x3/4" PEX SSC Brass Copling
YX4541010	1"x1" PEX SSC Brass Copling



Male Barb	
NO.	O.D.
YX4543850	3/8"x1/2" PEX SSC Brass Reducing Copling
YX4545058	1/2"x5/8" PEX SSC Brass Reducing Copling
YX4545075	1/2"x3/4" PEX SSC Brass Reducing Copling
YX4545875	5/8"x3/4" PEX SSC Brass Reducing Copling
YX4547510	3/4"x1" PEX SSC Brass Reducing Copling



Male Barb	
NO.	O.D.
YX4573838	3/8"x3/8" PEX SSC FPT Female Brass Adapter
YX4575050	1/2"x1/2" PEX SSC FPT Female Brass Adapter
YX4577575	3/4"x3/4" PEX SSC FPT Female Brass Adapter
YX4571010	1"x1" PEX SSC FPT Female Brass Adapter
YX4573850	3/8"x1/2" PEX SSC FPT Female Brass Adapter
YX4575075	1/2"x3/4" PEX SSC FPT Female Brass Adapter
YX4577510	3/4"x1" PEX SSC FPT Female Brass Adapter

# LEAD FREE BRASS FITTING



## Male Barb

NO.	O.D.
YX4523838	3/8"x3/8" PEX SSC MPT Male Brass Adapter
YX4525050	1/2"x1/2" PEX SSC MPT Male Brass Adapter
YX4527575	3/4"x3/4" PEX SSC MPT Male Brass Adapter
YX4521010	1"x1" PEX SSC MPT Male Brass Adapter
YX4523850	3/8"x1/2" PEX SSC MPT Male Brass Adapter
YX4525075	1/2"x3/4" PEX SSC MPT Male Brass Adapter
YX4527510	3/4"x1" PEX SSC MPT Male Brass Adapter
YX4527550	3/4"x1/2" PEX SSC MPT Male Brass Adapter
YX4521075	1"x3/4" PEX SSC MPT Male Brass Adapter

## Male Barb

NO.	O.D.
YX4513838	3/8" PEX SSC Brass Elbow
YX4515050	1/2" PEX SSC Brass Elbow
YX4515858	5/8" PEX SSC Brass Elbow
YX4517575	3/4" PEX SSC Brass Elbow
YX4511010	1" PEX SSC Brass Elbow
YX4513850	3/8"x1/2" PEX SSC Brass Elbow
YX4513858	3/8"x5/8" PEX SSC Brass Elbow
YX4513875	3/8"x3/4" PEX SSC Brass Elbow
YX4515058	1/2"x5/8" PEX SSC Brass Elbow
YX4515075	1/2"x3/4" PEX SSC Brass Elbow
YX4517510	3/4"x1" PEX SSC Brass Elbow

## Male Barb

NO.	O.D.
YX4233838	3/8"x3/8" PEX SSC Brass Drop Ear Elbow
YX4235050	1/2"x1/2" PEX SSC Brass Drop Ear Elbow
YX4237575	3/4"x3/4" PEX SSC Brass Drop Ear Elbow
YX4231010	1"x1" PEX SSC Brass Drop Ear Elbow

## Male Barb

NO.	O.D.
YX45338	3/8" PEX SSC Brass Plug
YX45350	1/2" PEX SSC Brass Plug
YX45358	5/8" PEX SSC Brass Plug
YX45375	3/4" PEX SSC Brass Plug
YX45310	1" PEX SSC Brass Plug



## Male Barb

NO.	O.D.
YX4513838	3/8"x3/8" PEX SSC Brass Female Sweat
YX4515050	1/2"x1/2" PEX SSC Brass Female Sweat
YX4517575	3/4"x3/4" PEX SSC Brass Female Sweat
YX4511010	1"x1" PEX SSC Brass Female Sweat
YX4513850	3/8"x1/2" PEX SSC Brass Female Sweat
YX4515075	1/2"x3/4" PEX SSC Brass Female Sweat
YX4517510	3/4"x1" PEX SSC Brass Female Sweat

## Male Barb

NO.	O.D.
YX4503838	3/8"x3/8" PEX SSC Brass Male Sweat
YX4505050	1/2"x1/2" PEX SSC Brass Male Sweat
YX4507575	3/4"x3/4" PEX SSC Brass Male Sweat
YX4501010	1"x1" PEX SSC Brass Male Sweat
YX4503850	3/8"x1/2" PEX SSC Brass Male Sweat
YX4505075	1/2"x3/4" PEX SSC Brass Male Sweat
YX4507510	3/4"x1" PEX SSC Brass Male Sweat

## Male Barb

NO.	O.D.
YX470383838	3/8" PEX SSC Brass Tee
YX470505050	1/2" PEX SSC Brass Tee
YX470585858	5/8" PEX SSC Brass Tee
YX470757575	3/4" PEX SSC Brass Tee
YX470101010	1" PEX SSC Brass Tee
YX470383850	3/8"x3/8"x1/2" PEX SSC Brass Reducing Tee
YX470505038	1/2"x1/2"x3/8" PEX SSC Brass Reducing Tee
YX470505075	1/2"x1/2"x3/4" PEX SSC Brass Reducing Tee
YX470757538	3/4"x3/4"x3/8" PEX SSC Brass Reducing Tee
YX470757550	3/4"x3/4"x1/2" PEX SSC Brass Reducing Tee
YX470101050	1"x1"x1/2" PEX SSC Brass Reducing Tee
YX470101075	1"x1"x3/4" PEX SSC Brass Reducing Tee
YX470385050	3/8"x1/2"x1/2" PEX SSC Brass Reducing Tee
YX470755050	3/4"x1/2"x1/2" PEX SSC Brass Reducing Tee
YX470507575	1/2"x3/4"x3/4" PEX SSC Brass Reducing Tee
YX470107575	1"x3/4"x3/4" PEX SSC Brass Reducing Tee



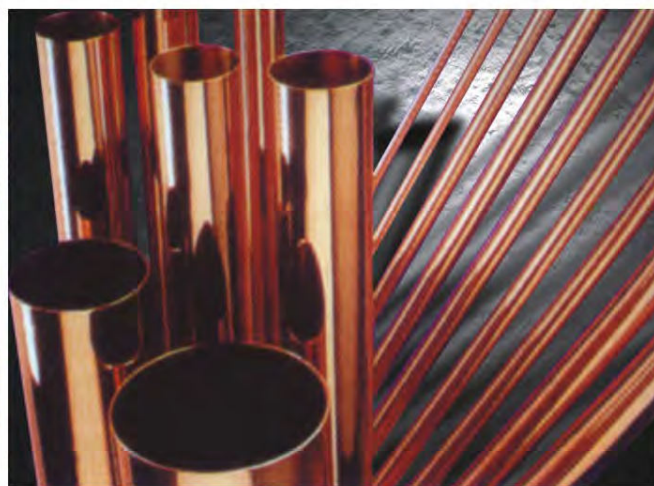
## Pex Ball Valve

O.D.
1/2" Ball valve
3/4" Ball valve
1" Ball valve

## WELDABLE RED COPPER PIPE

### STANDARD SPECIFICATION FOR T<sub>2</sub>TP<sub>2</sub> RED COPPER PIPE

DN		Q/YTG06-2004				GB/T18033-2000				EN1057-1996				
IN	MM	Type A		Type B		O.D (mm)	Thickness (mm)			O.D (mm)	Thickness (mm)			
		O.D (mm)	Thickness (mm)	O.D (mm)	Thickness (mm)		Type A (mm)	Type B (mm)	Type C (mm)		Type A (mm)	Type B (mm)	Type C (mm)	Type D (mm)
1/8"	6	8	0.8	8	1.0	8	1.0	0.8	0.6	8	0.6	0.8	1.0	
1/4"	8	10	0.8	10	1.0	10	1.0	0.8	0.6	10	0.6	0.8	1.0	
3/8"	10	12	0.8	12	1.0	12	1.2	0.8	0.6	12	0.6	0.8	1.0	
1/2"	15	15	0.8-1.5	15	1.0	15	1.2	1.0	0.7	15	0.7	0.8	1.0	
3/4"	20	22	1.0-1.5	22	1.2	22	1.5	1.2	0.9	22	0.9	1.0	1.2	1.5
1"	25	28	1.2-1.5	28	1.5	28	1.5	1.2	0.9	28	0.9	1.0	1.2	1.5
1 1/4"	32	35	1.2-2	35	1.5	35	2.0	1.5	1.2	35	1.2	1.5		
1 1/2"	40	42	1.5-2	44	2.0	42	2.0	1.5	1.2	42	1.2	1.5		
2"	50	54	1.5-2.5	55	2.0	54	2.5	2.0	1.2	54	1.2	1.5		
2 1/2"	65	67	2.0-2.5	70	2.5	67	2.5	2.0	1.5	66.7	1.2		2.0	
3"	80	76	2.0-3	85	2.5	85	2.5	2.0	1.5	76.1	1.5	2.0		
4"	100	108	2.5-3	105	2.5	108	3.5	2.5	1.5	108	1.5	2.5		
5"	125	133	2.5-3.5	133	3.0	133	3.5	2.5	1.5	133	1.5	3.0		
6"	150	159	3.0-4	159	3.5	159	4.0	3.0	2.0	159	2.0	3.0		
8"	200	219	4.0-6	219	4.5	219	6.0	5.0	4.0	219	3.0			



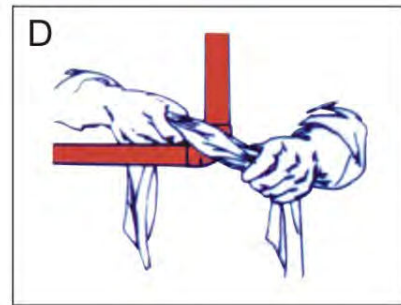
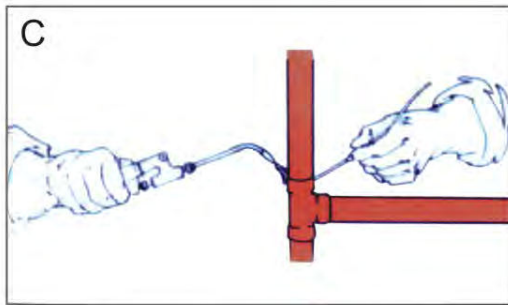
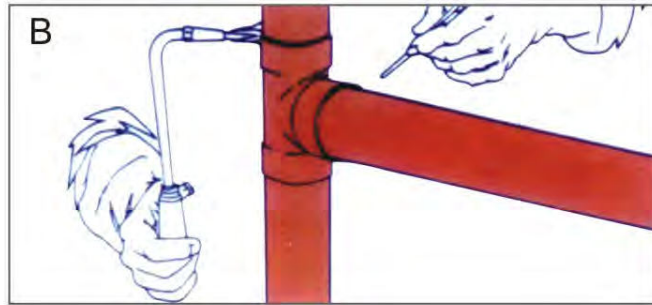
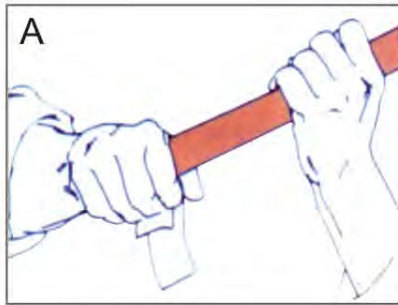
## PLASTIC COVERED RED COPPER PIPE



O.D of copper tube MM	O.D of plastic/MM		Thickness of plastic/MM		Qty
	Plain pattern	Dental pattern	Plain pattern	Dental pattern	
6	8.2	8.6	1.1	1.3	6~8
8	10.2	10.6	1.1	1.3	8~10
10	12.2	12.6	1.1	1.3	10~12
12	14.2	14.6	1.1	1.3	12~20
15	17.6	18.6	1.3	1.8	16~26
18	20.6	21.6	1.3	1.8	16~25
22	24.6	25.6	1.3	1.8	20~30
28	30.6	31.6	1.3	1.8	20~30
35	38.6	40	1.8	2.5	28~35
42	45.6	47	1.8	2.5	32~42
54	58	60	2.0	3.0	42~52

## MATERIAL & TECHNOLOGY & TESTING PRESSURE OF COPPER VALVES & FITTINGS

Parameter Series		Type	Material	Technology	Testing pressure(Mpa) GB/T13927		Working Pressure (Mpa)
					Air	Hydraulic	
Brass Pipe Fitting	C-Type		CuZn40Pb2 (CW617)	Forged	0.6	1.6	0.6-1.0
	F-Type			Casted	0.8	3.0	1.6-2.0
	T-Type	Below1"		Forged	0.6	2.4	1.6
		Up1"		Casted	0.6	2.4	1.6
Red Copper Pipe Fitting			TP2	Pressure	0.6	2.4	1.6
Brass Valve	Below2"		CuZn40Pb2 (CW617N)	Forged	0.6	2.4-3.0	1.6-2.0
	Up2"			Casted	0.6	2.4	1.6
Bronze Valve & Fitting			CuSn5Zn5Pb5 (CC491K)	Casted	0.6	2.4-4.8	1.6-3.2



## TECHNOLOGE OF WELDING CONNECTION

**Connection style:**Soldering.

**Heating style:**Manual heating with oxyacetylene torches.

**Soldering Position:**Fixed horizontal position and fixed vertical position.

### Steps of soldering:

- Cut copper tube into required lengths,make sure that the cross-section is perpendicular to the tube axis, then file and finish the ends.
- Check the surface of the copper tube ends to be inserted into the tube joints for greasy filth,if any,please clean it with emery cloth or stainless steel velvet(Figure A.).Use carbon tetrachloride(ccl4) to clean medical-purpose tubes.never clean medical-purpose tubes with oil-solvent.
- Select special solders and soldering fluxed we provide for soldering.
- Points for oxyacetylene soldering.
  - Select proper oxyacetylene torches according to the sizes of the copper tube joints.Use neutral flame to heat neat the pieces to be soldered(Figure B).
  - Heat the pieces to be soldered evenly,dip out a moderate amount of sodering flux(power)with the heated solder,and evenly daub it on the joining area of the pieces.  
Feed the solder in when the tempperature reaches 750-850℃(Figure C) heat the solder directly with flame. The melted solder will fill the clearnce between the tube and joint by capillary action.
  - When the solder is completely melted,stop heating immediately to prevent the solder from continuously floweing into the clearance.Otherwise,full solder seam may not be formed.
  - During tube laying,avoid inverse soldering if possible.If that is unavoidable,point the flame to the upper part while operating inverse soldering.Wind an asbestos cord under the joints to prevent the molten solder from dripping.
- **Treatments after soldering**
  - Different dinds of solders may be used repeatedly on the same joint.When soldering is finished,please use wet cloth to cool and wipe connection part to make the soldering part steady(Figure D).Don' t worry about to be soalded, meanwhile,can get rid of melting dregs on soldering.

# NOTES